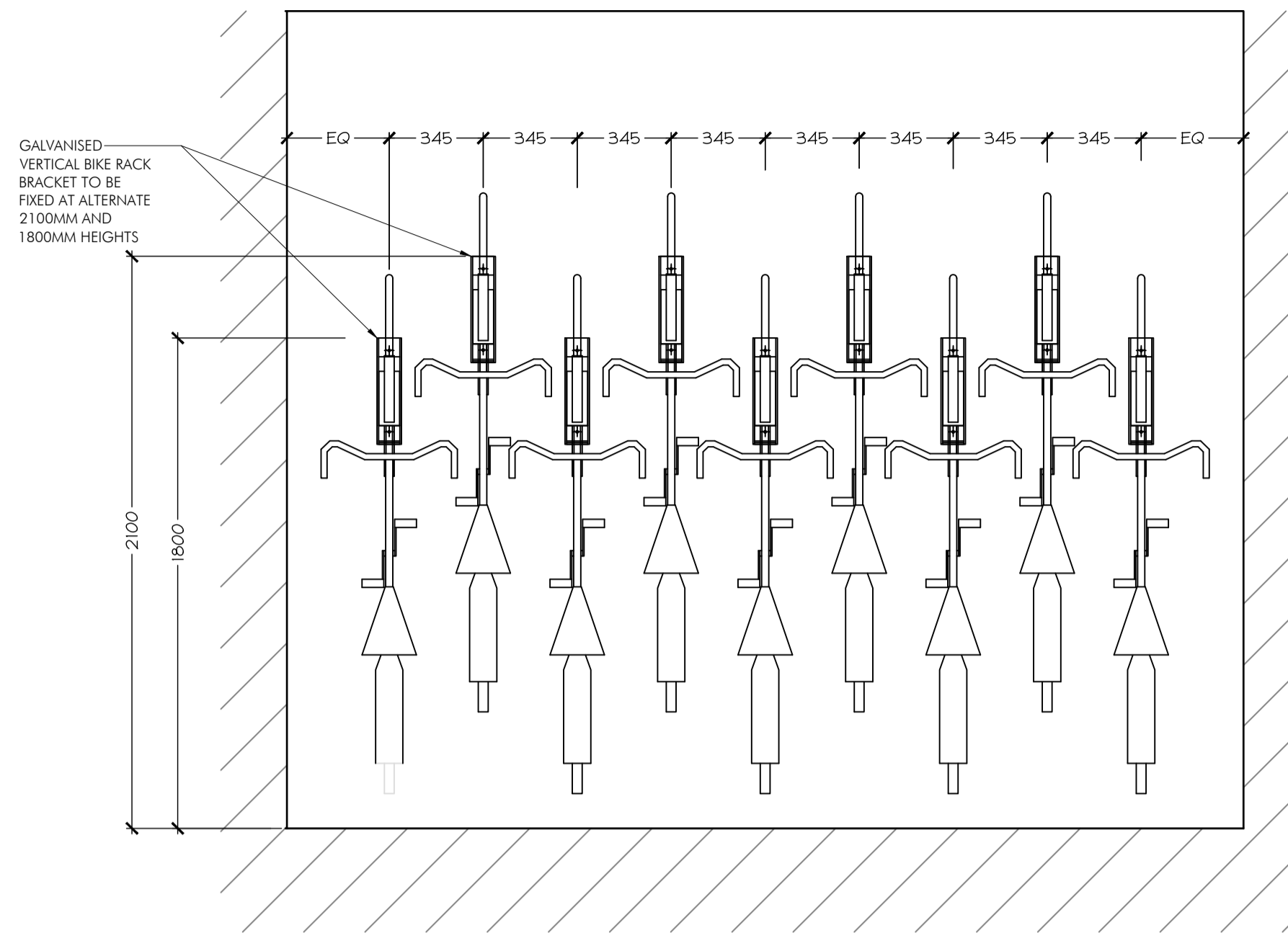
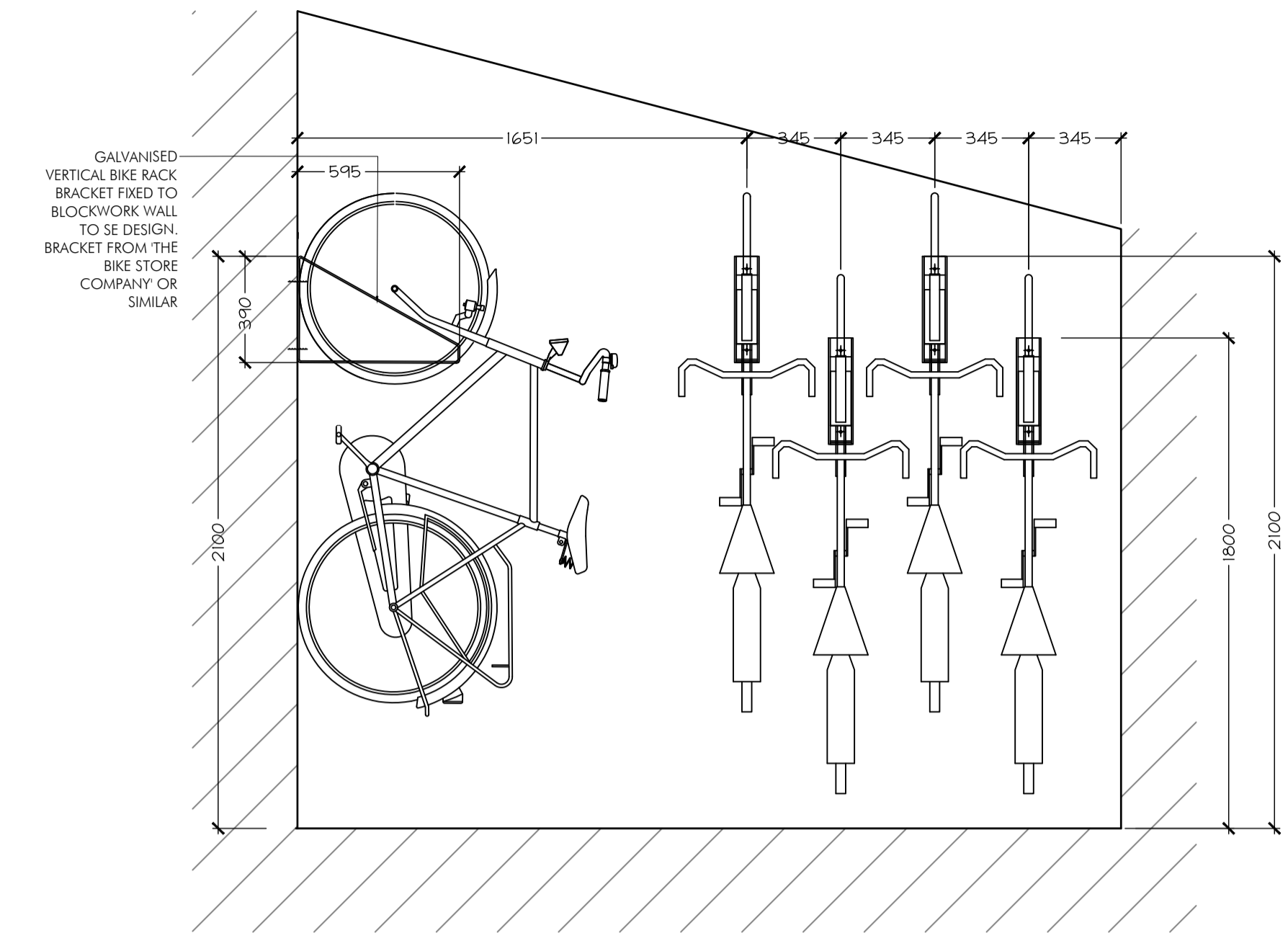


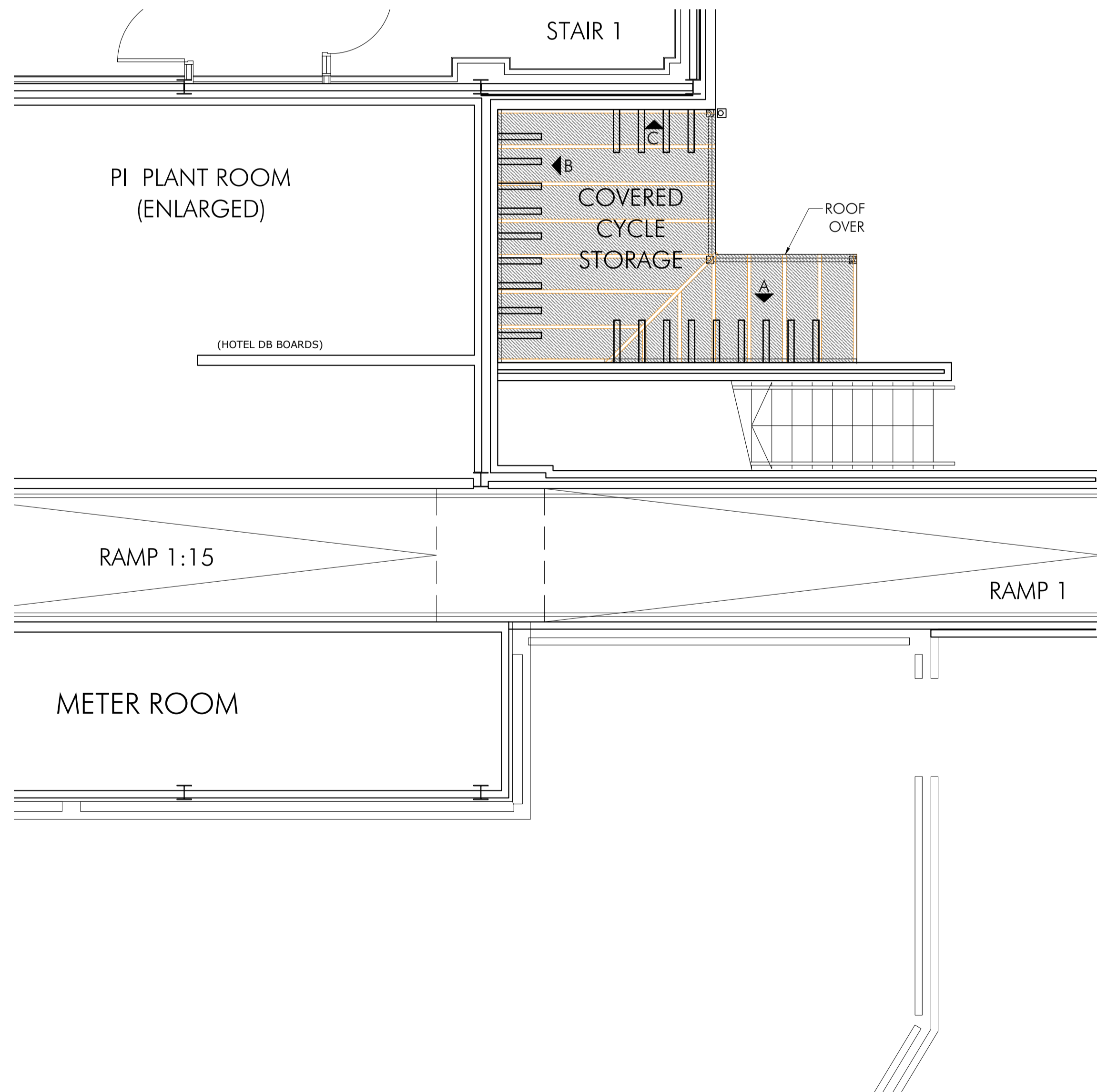
ELEVATION A  
SCALE 1:20



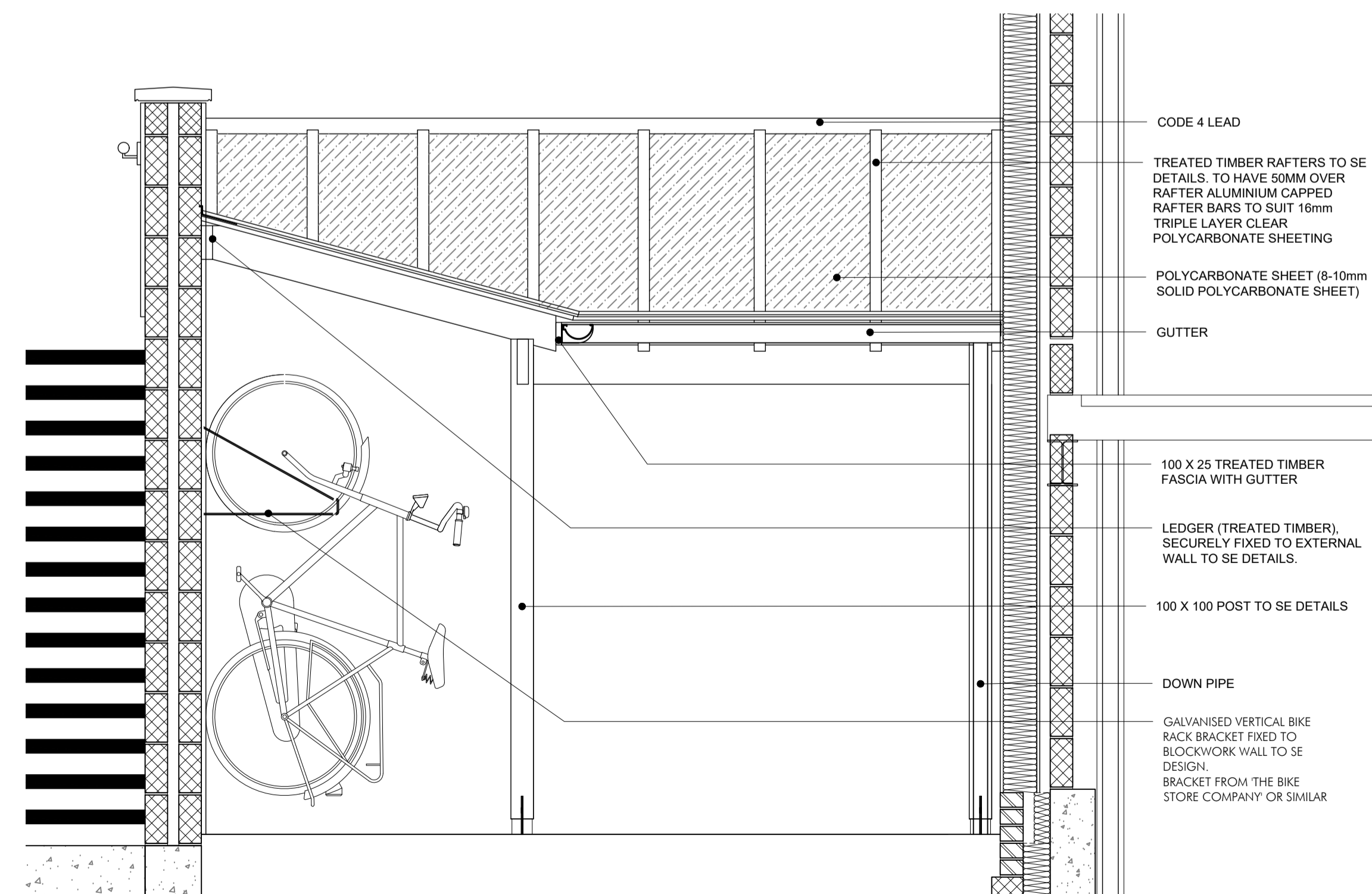
ELEVATION B  
SCALE 1:20



ELEVATION C  
SCALE 1:20



LOWER GROUND FLOOR LOCATION PLAN, SERVICE YARD  
1:50



REAR SERVICE YARD SECTION  
1:20

AM	REV A- CYCLE STORE UPDATED	18.08.20	
RDM	DRAWN	24/05/17	VER
DRAWN	REVISION	DATE	

PLANNING ISSUE



ALLISON PIKE  
ARCHITECTS & DESIGNERS

7 Buxton Road West, Disley,  
Stockport, Cheshire, SK12 2AE.  
Website: www.allisonpike.com

Telephone: 01663 763000  
Facsimile: 01663 766772  
Email: studio@allisonpike.com

© Allison Pike Partnership Limited.

PROJECT  
TUNDO CASTLE  
LLANDUDNO

TITLE  
PROPOSED LOWER GROUND FLOOR  
HANGING RAIL CYCLE PARKING  
22 SPACES

SCALE  
1:20 / 50 @ A1

JOB No	DRAWING No	REV
BAK01	AP31	A