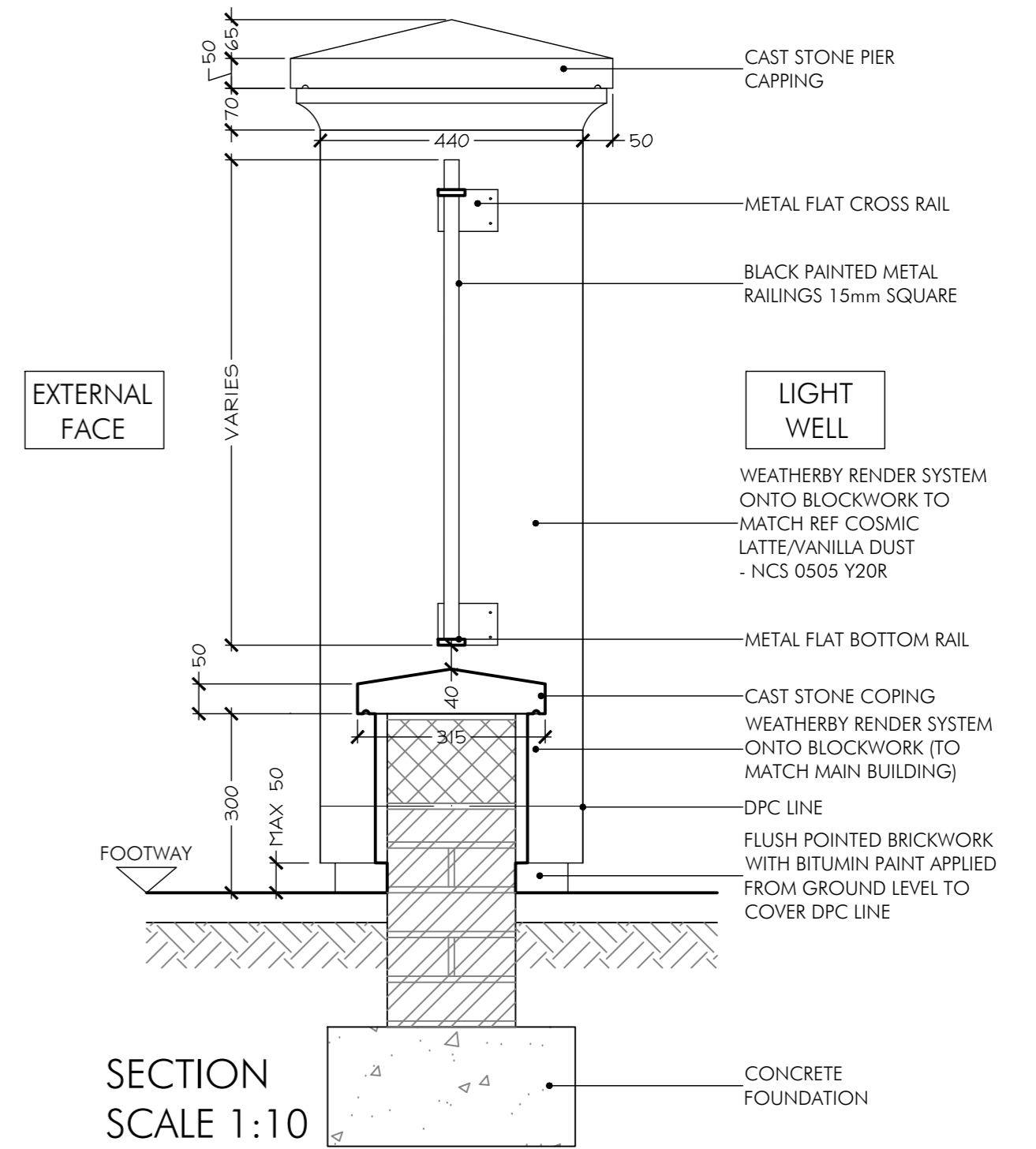
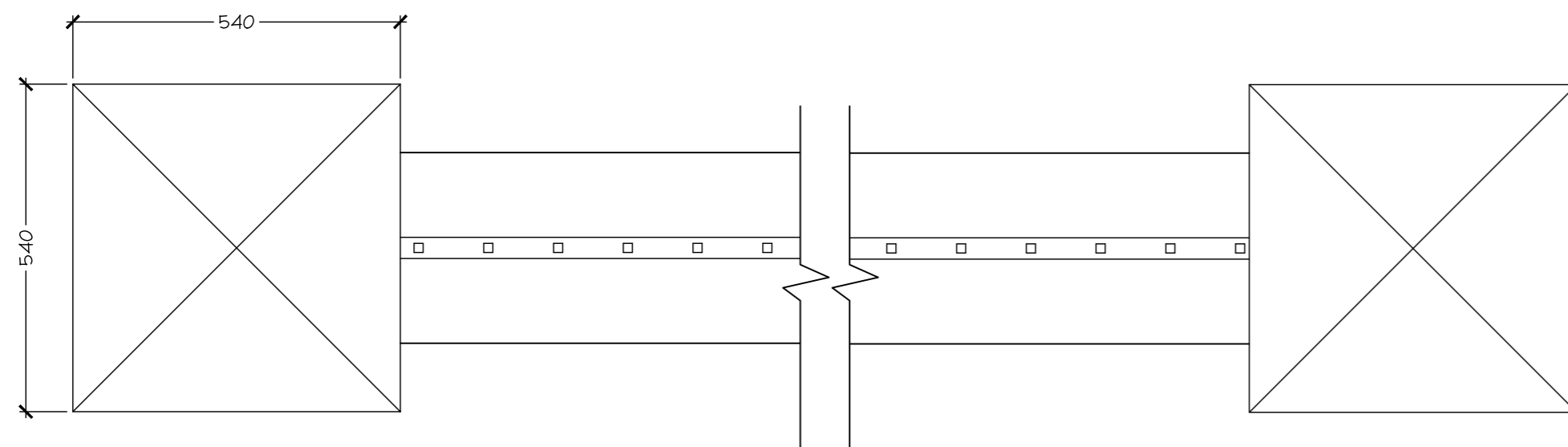



ELEVATION OF TYPICAL RAILING BAY
SCALE 1:10



SECTION
SCALE 1:10



PLAN OF TYPICAL RAILING BAY
SCALE 1:10

AM DRAWN	REV A- CAST STONE PLINTH REMOVED FROM BOUNDARY WALL.	18.08.20
AM DRAWN	DRAWN REVISION	JULY17 DATE VER
PLANNING ISSUE	PROJECT REDEVELOPMENT TUNDO CASTLE LLANDUDNO	 ARCHITECTS & DESIGNERS
	TITLE PROPOSED RAILINGS	
	SCALE 1:10 @ A2	
	JOB No BAK01	
7 Buxton Road West, Disley, Stockport, Cheshire, SK12 2AE. Telephone: 01663 763000 Website: www.allisonpike.com. Facsimile: 01663 766772 Email: studio@allisonpike.com		© Allison Pike Partnership Limited.