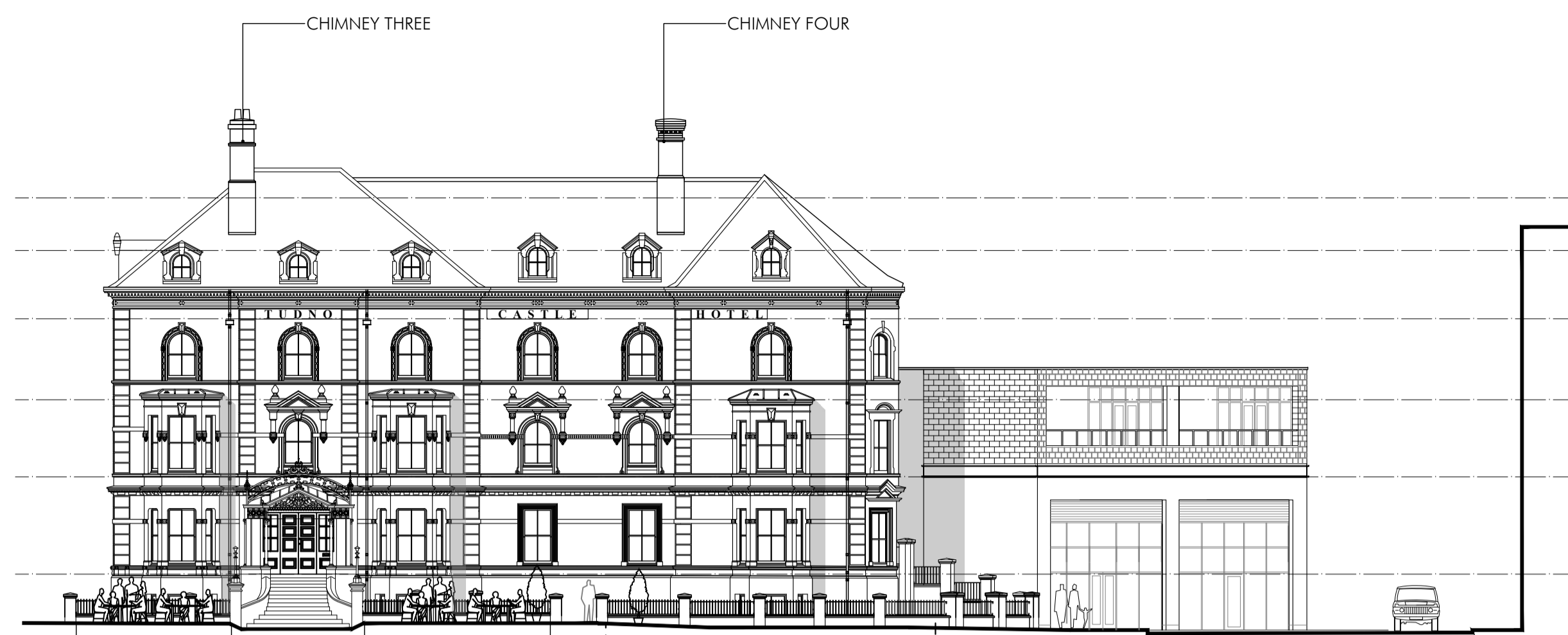
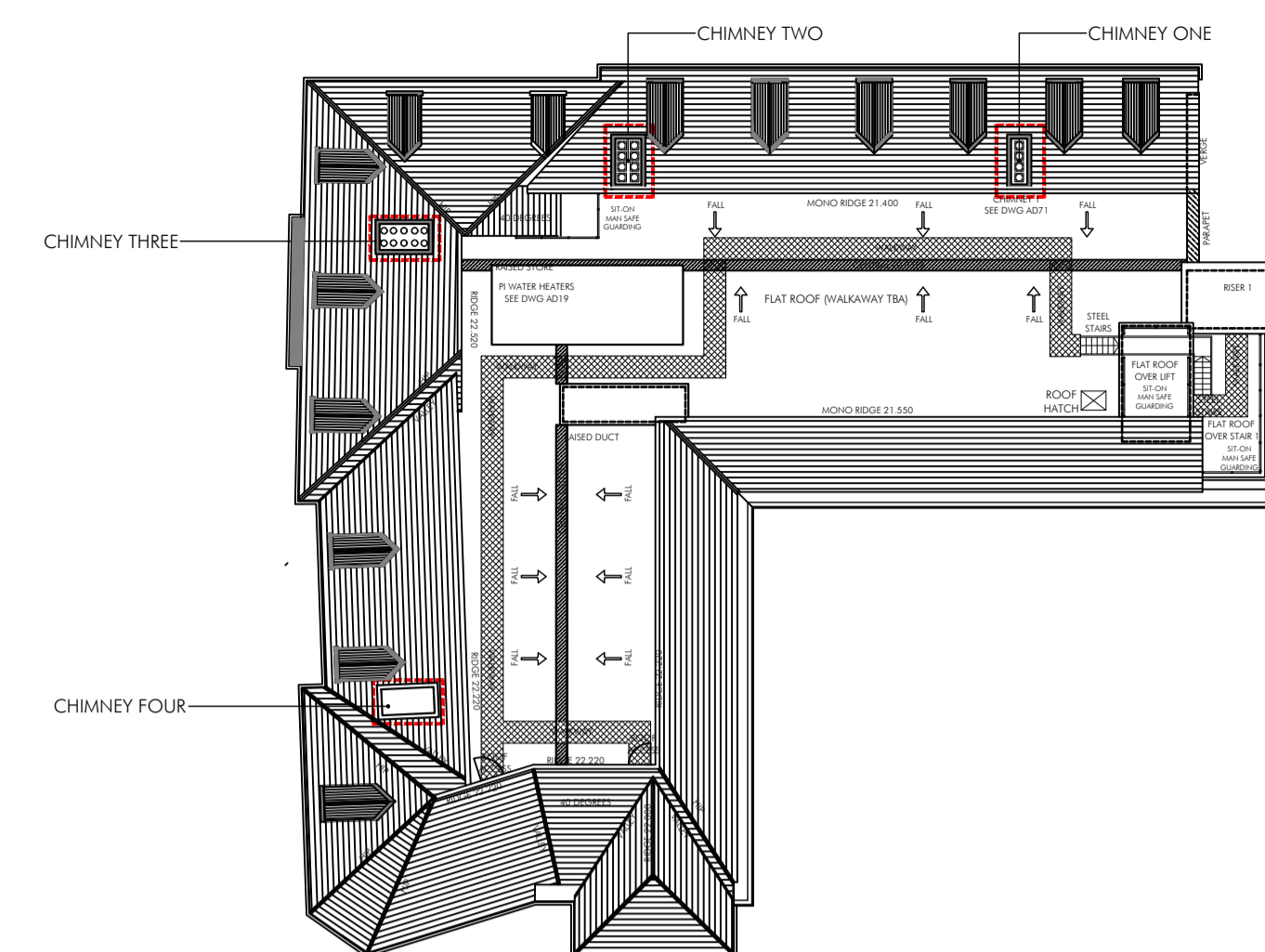


MOSTYN BROADWAY ELEVATION  
NTS



CONWAY ROAD ROAD ELEVATION  
NTS



ROOF PLAN SHOWING PROPOSED CHIMNEY  
LOCATIONS  
NTS

RECLAIMED BRICKWORK KEY

■ LIGHT BROWN BRICKWORK

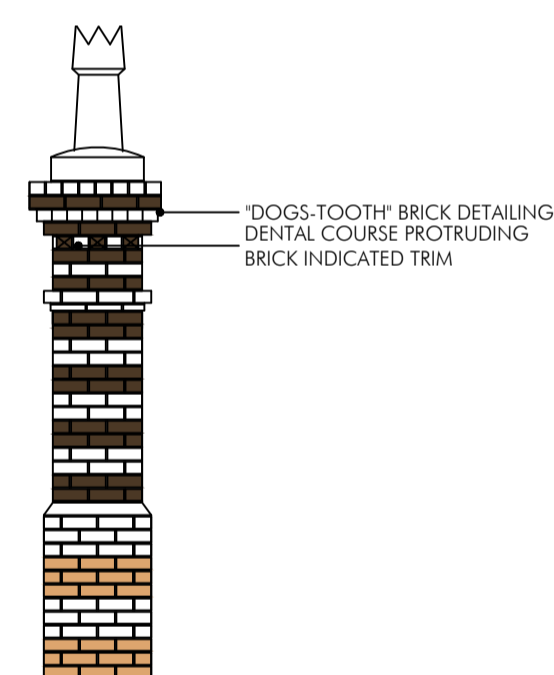
■ DARK BROWN BRICKWORK

□ BUFF BRICKWORK

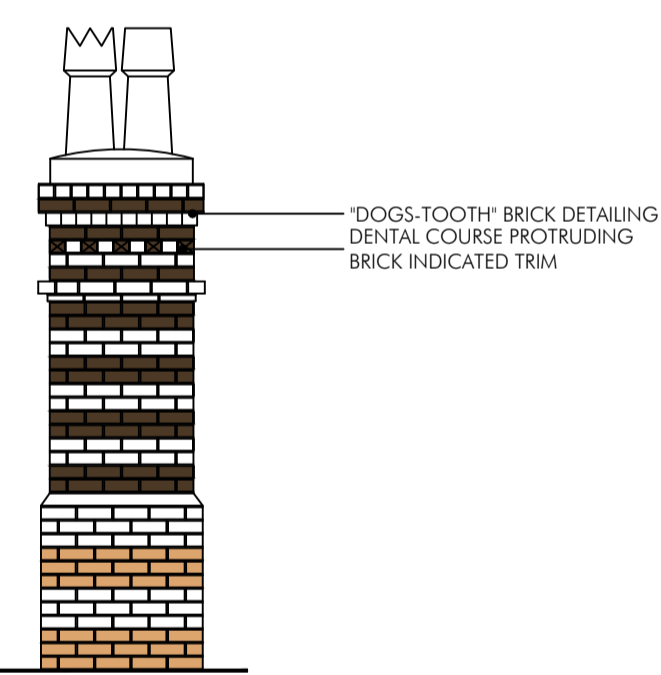
■ RED BRICKWORK

⊠ INDICATES PROTRUDING BRICKWORK  
CORBEL

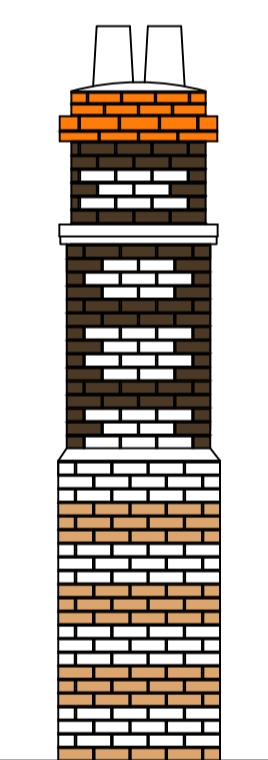
**NOTE**  
CHIMNEYS TO BE RE-BUILT AS DRAWN USING RECLAIMED CHIMNEY BRICKWORK. TO EITHER BE FORMED IN MASONRY UNITS OR TO BE TAKEN OFF-SITE, CUT TO FORM BRICK SLIPS TO BS 4729:2005 AND FORMED ON PROPRIETARY MESH AND ADHESIVE SYSTEM ON SUITABLE BACKER BOARD, ON TIMBER FRAMEWORK, TO SUIT LIGHTWEIGHT CONSTRUCTION. CORNER JOINTS TO BE MITRED AND FACTORY BONDED TO MATCH ORIGINAL APPEARANCE.  
LIGHTWEIGHT SYSTEMS SHALL REQUIRE THE USE OF FLEXIBLE GROUTS TO BE SELECTED TO MATCH COLOUR OF EXISTING MORTAR JOINTS.



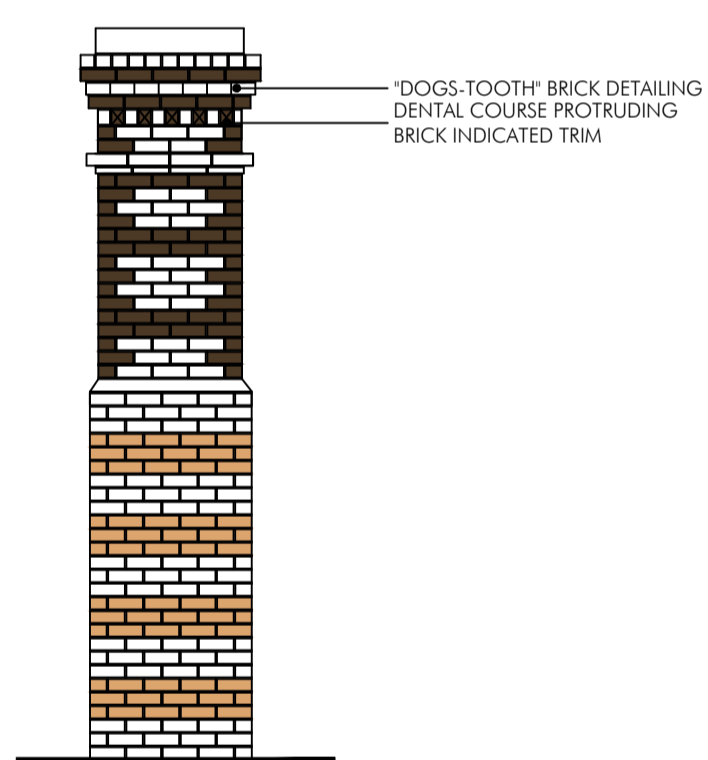
CHIMNEY ONE ELEVATION  
1:50



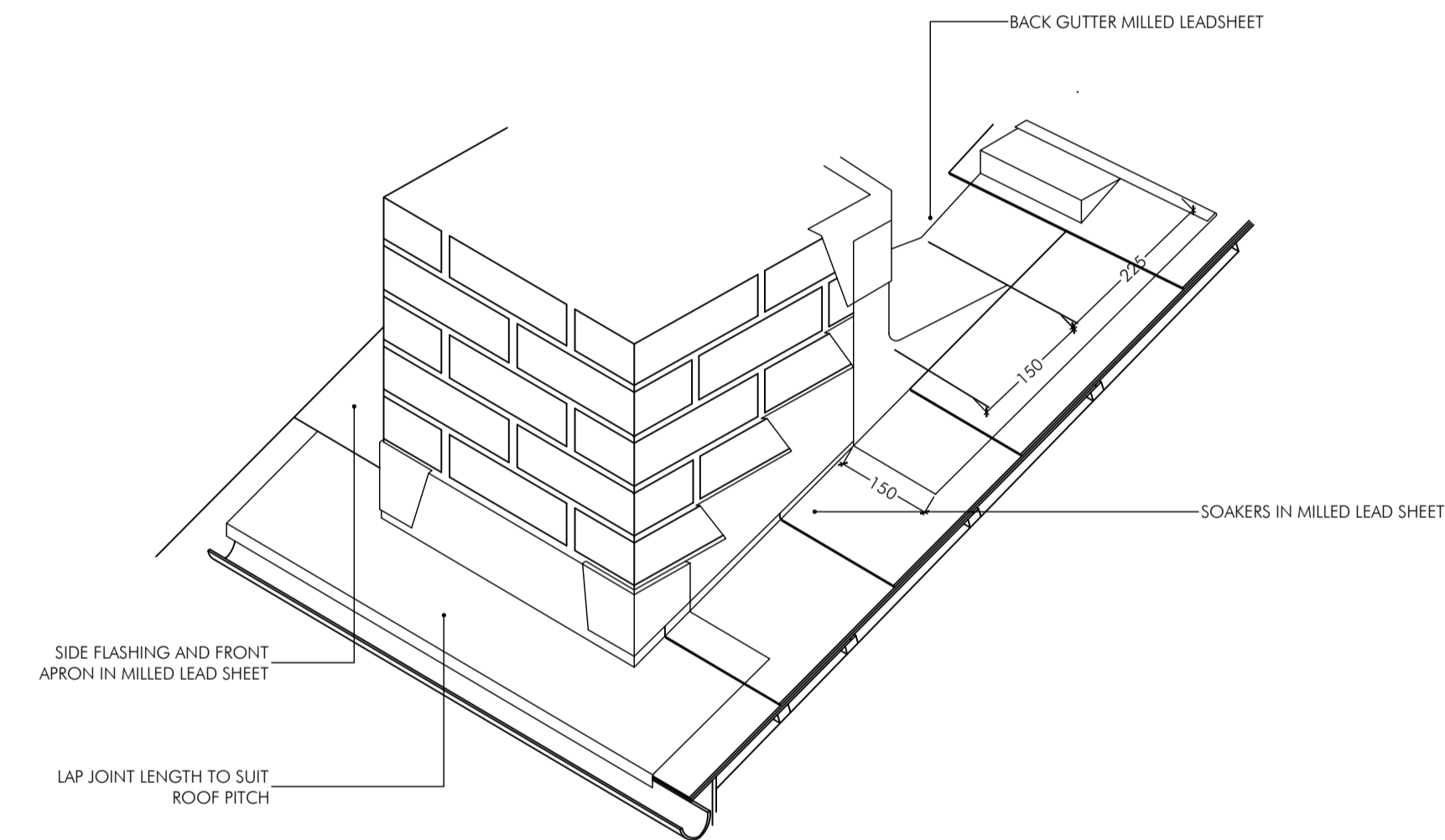
CHIMNEY TWO ELEVATION  
1:50



CHIMNEY THREE ELEVATION  
1:50

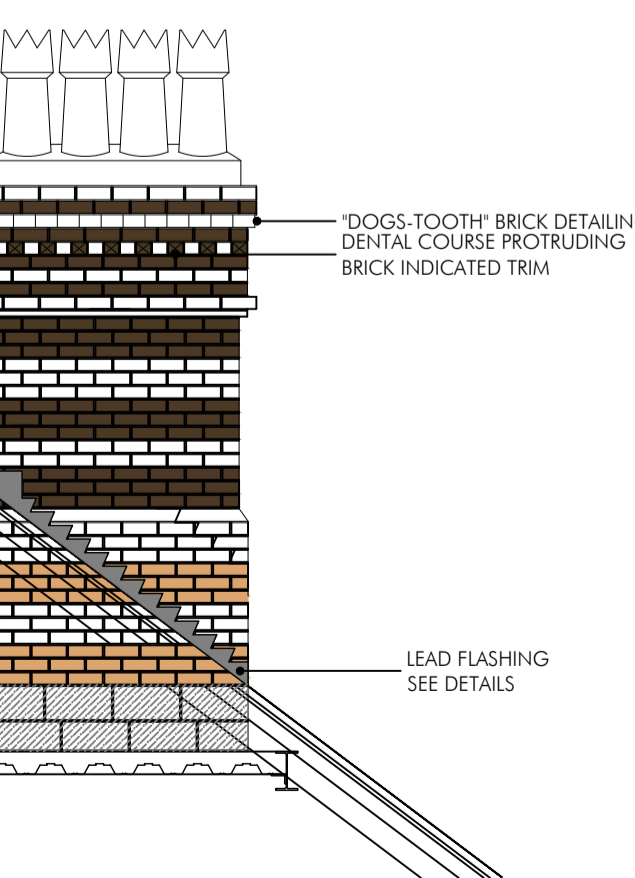


CHIMNEY FOUR ELEVATION  
1:50

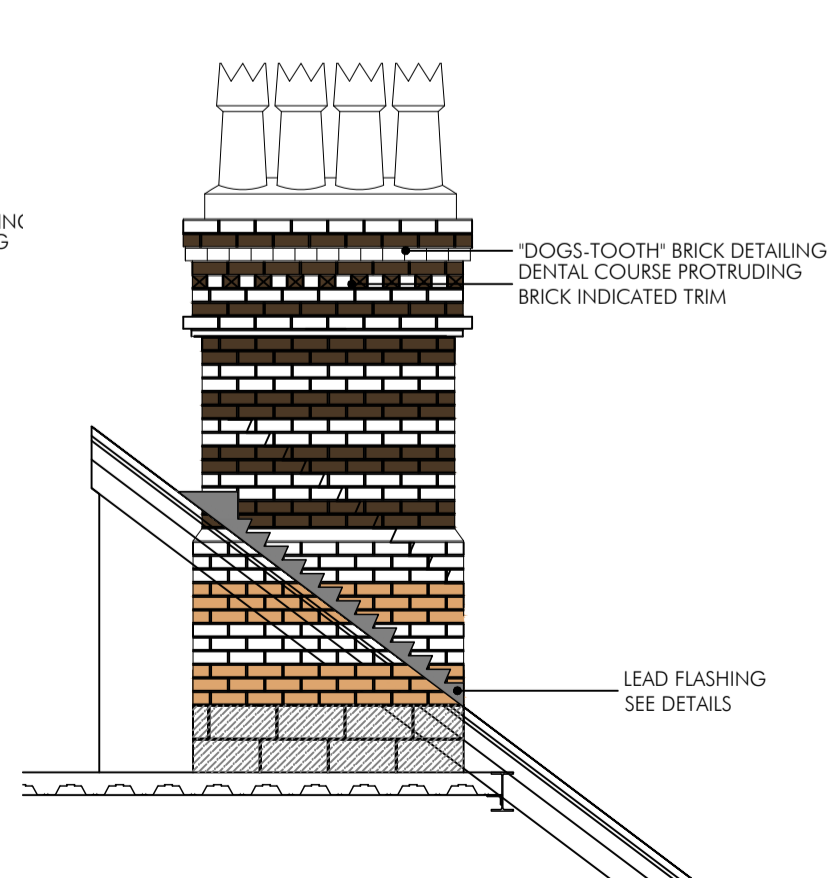


CHIMNEY FLASHING DETAIL  
NTS

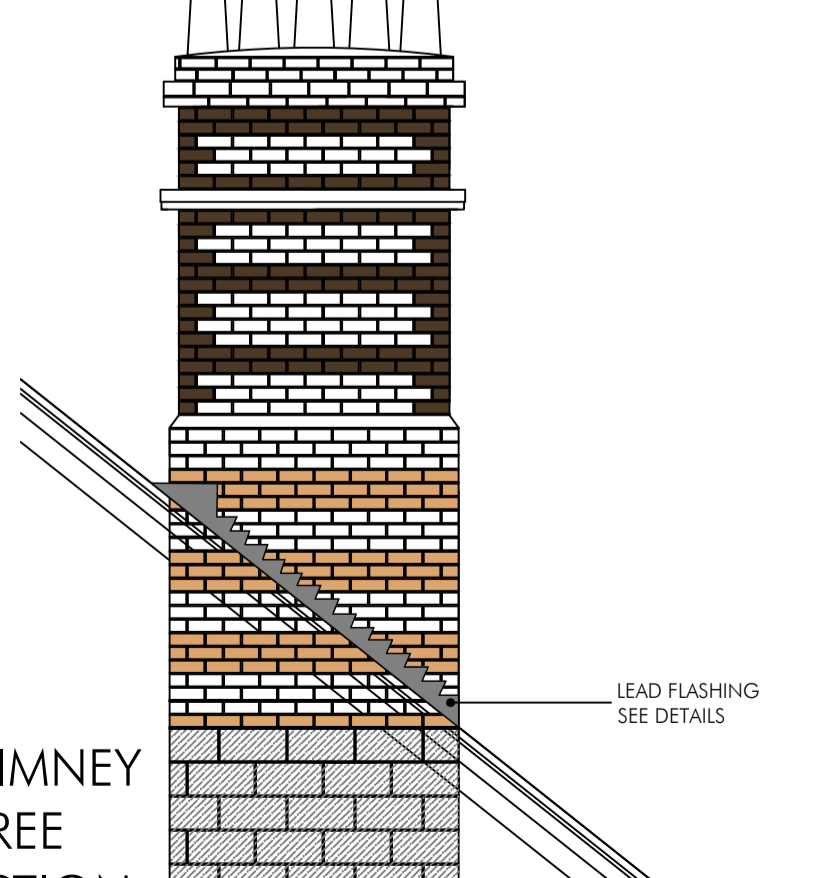
CORBEL



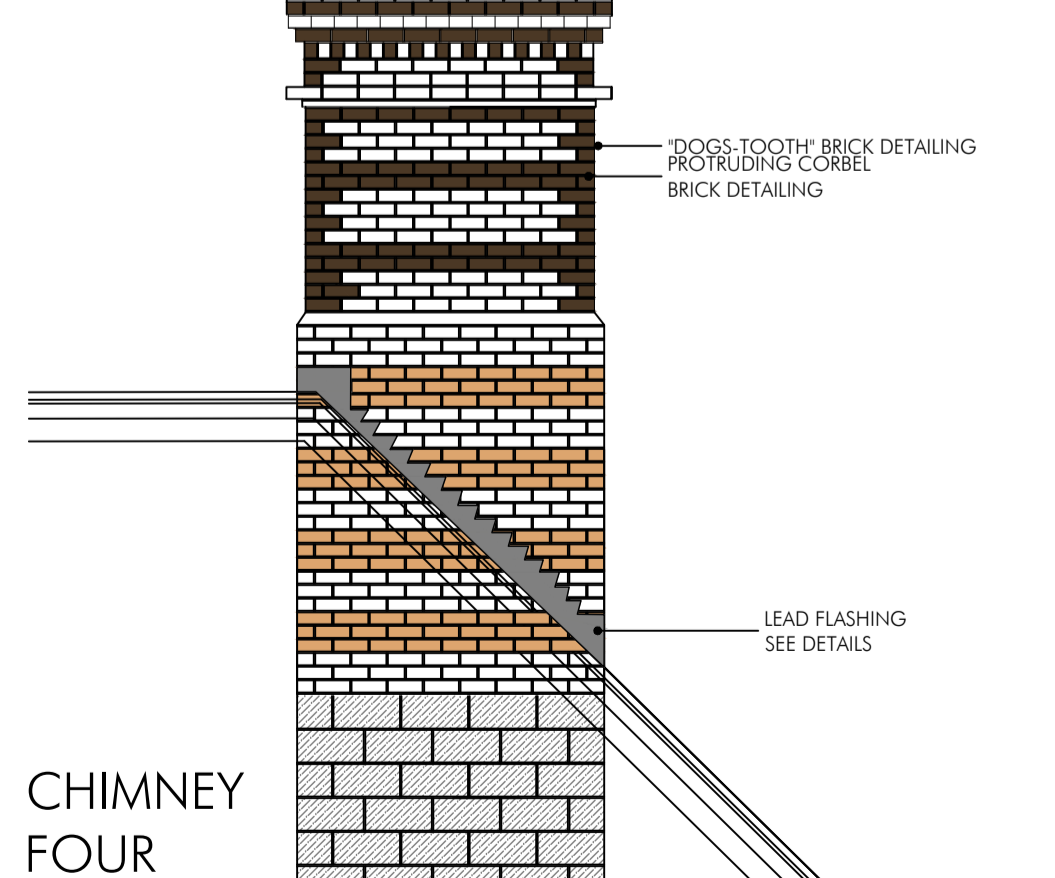
CHIMNEY ONE SECTION  
1:50



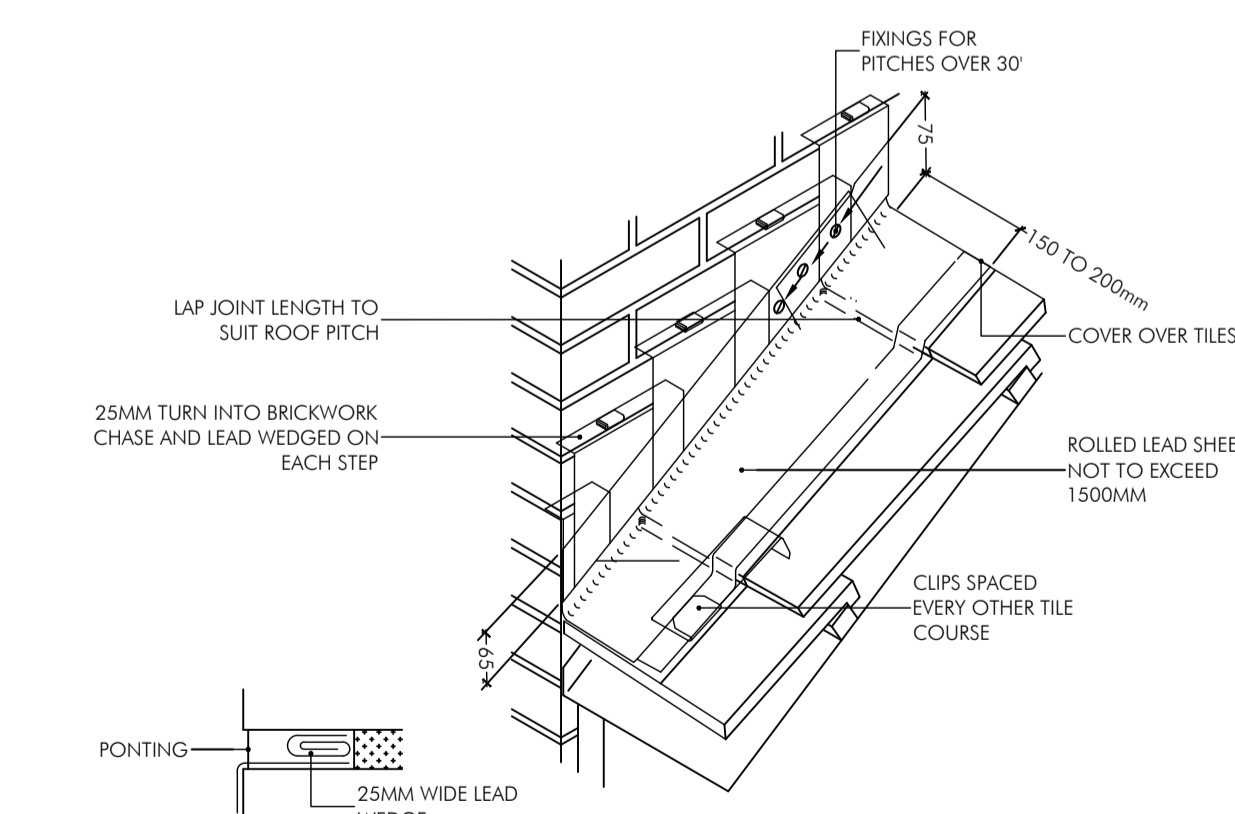
CHIMNEY TWO SECTION  
1:50



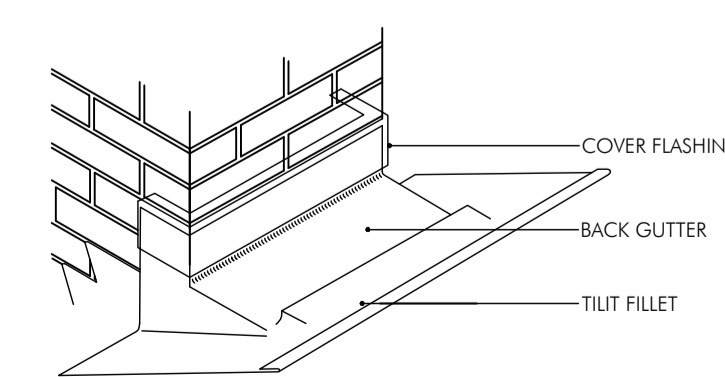
CHIMNEY THREE SECTION  
1:50



CHIMNEY FOUR SECTION  
1:50



SINGLE STEP AND COVER FLASHING  
NTS



CHIMNEY FLASHING DETAIL FROM BEHIND  
NTS

AM	REV A: ELEVATIONS AND ROOF PLAN UPDATED	18.08.20
RDM	DRAWN	JULY 17
DRAWN	REVISION	DATE
		VER

PLANNING ISSUE



ALLISON PIKE  
ARCHITECTS & DESIGNERS

7 Buxton Road West, Disley, Stockport, Cheshire, SK12 2AE.  
Telephone: 01663 763000  
Facsimile: 01663 766772  
Website: www.allisonpike.com  
Email: studio@allisonpike.com

© Allison Pike Partnership Limited.

PROJECT  
TUNDO CASTLE  
LLANDUDNO

TITLE  
PROPOSED REBUILD CHIMNEY DETAILS

SCALE  
1:50 @ A1

JOB No BAK01	DRAWING No AP27	REV A
-----------------	--------------------	----------