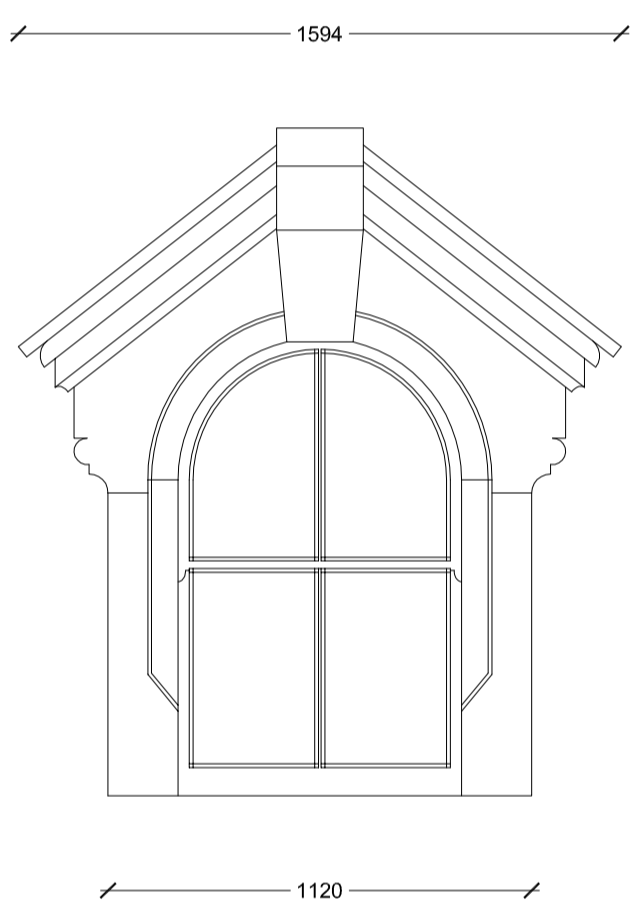
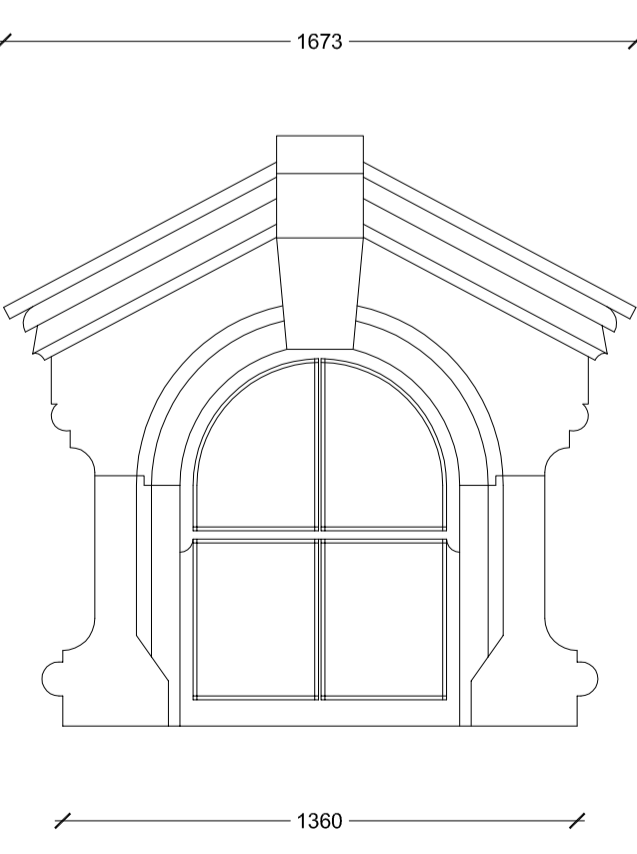


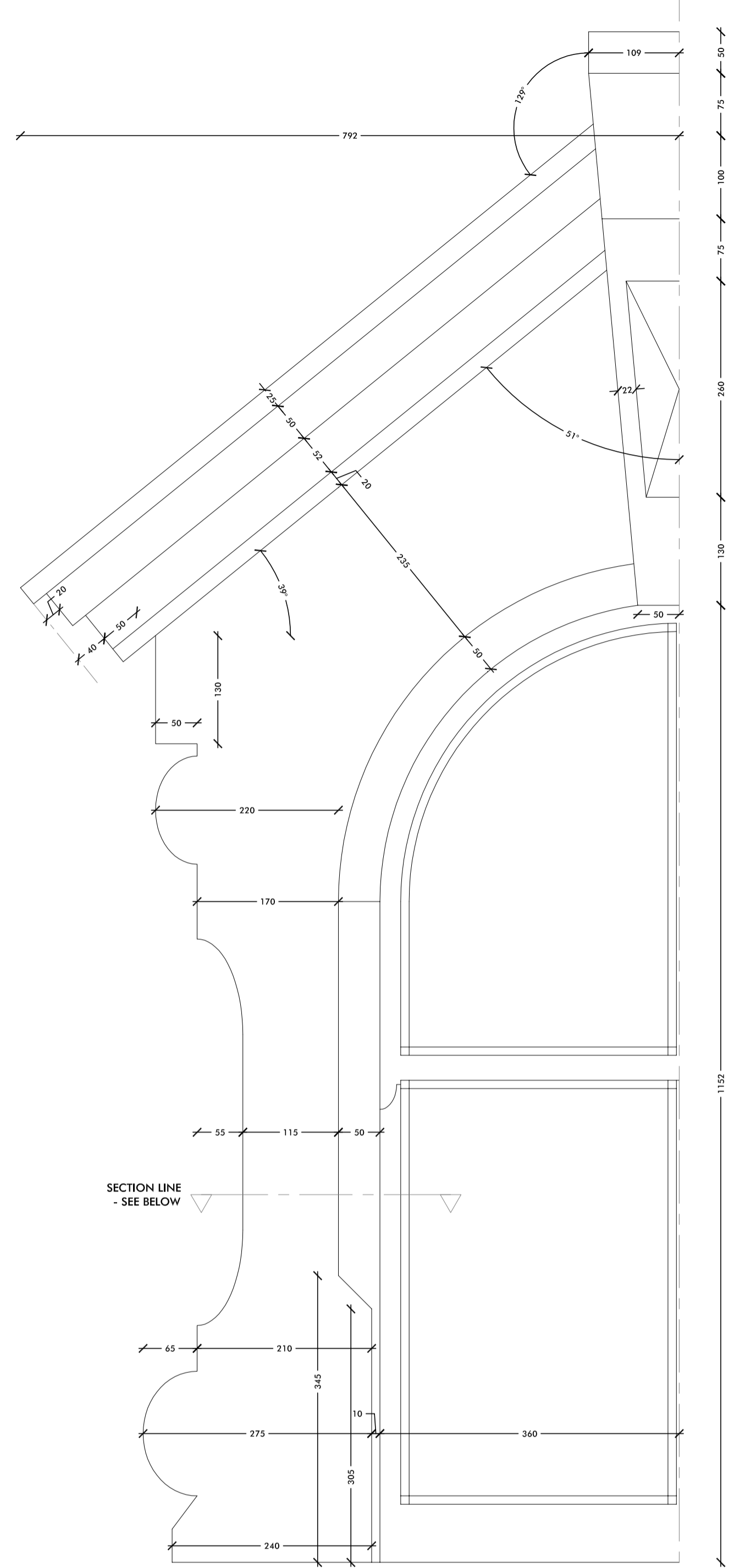
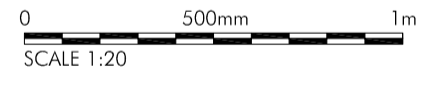
EXISTING DORMER WINDOW A



EXISTING DORMER WINDOW B



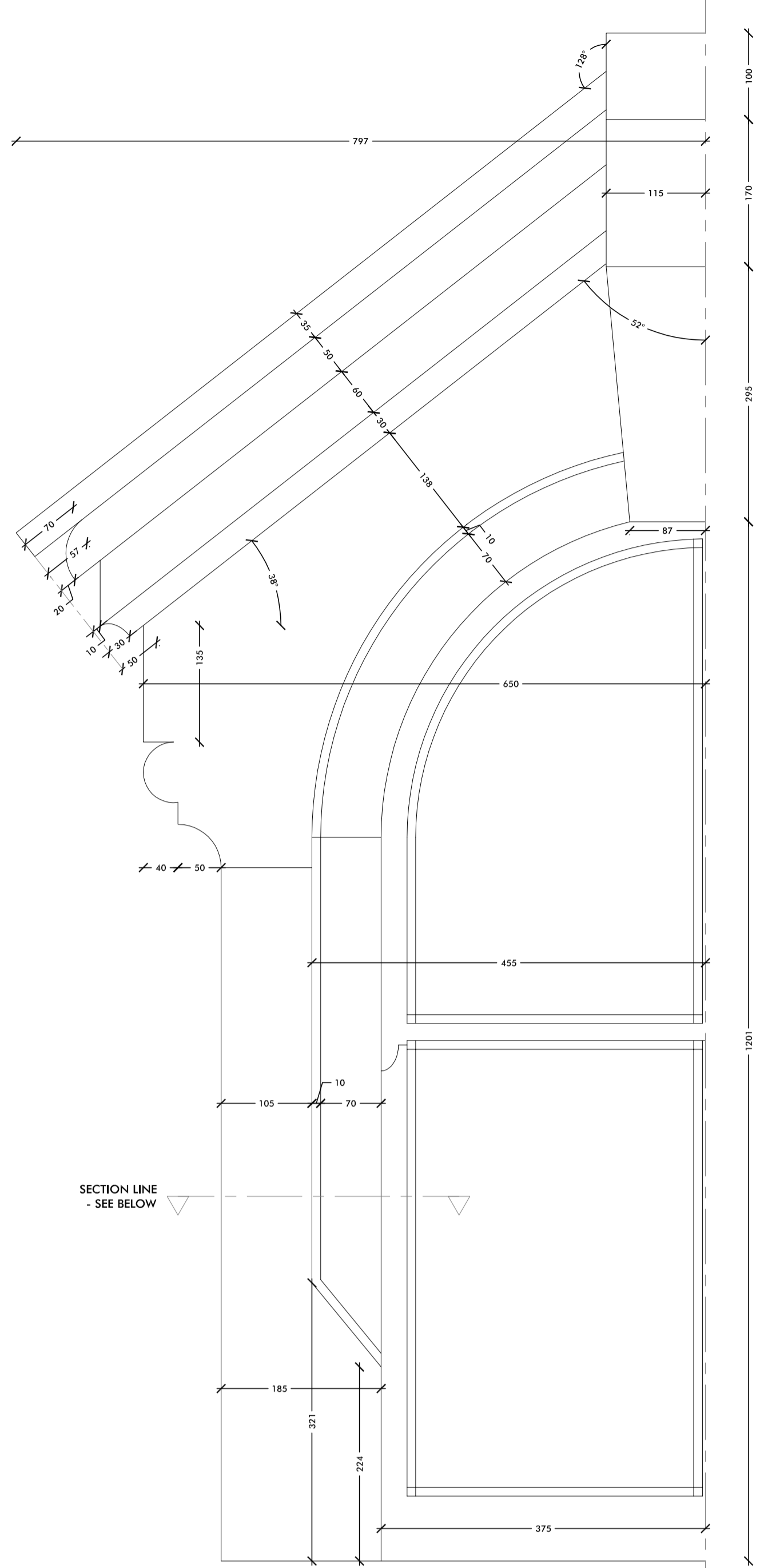
EXISTING DORMER WINDOW C



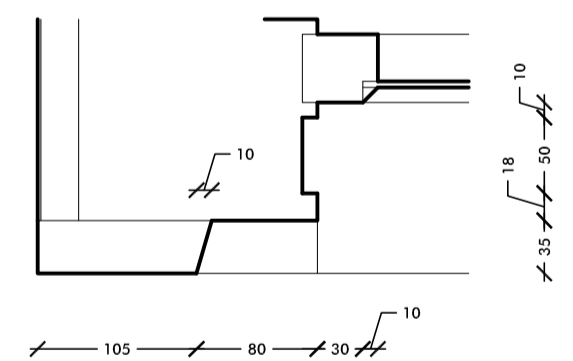
SECTION LINE - SEE BELOW



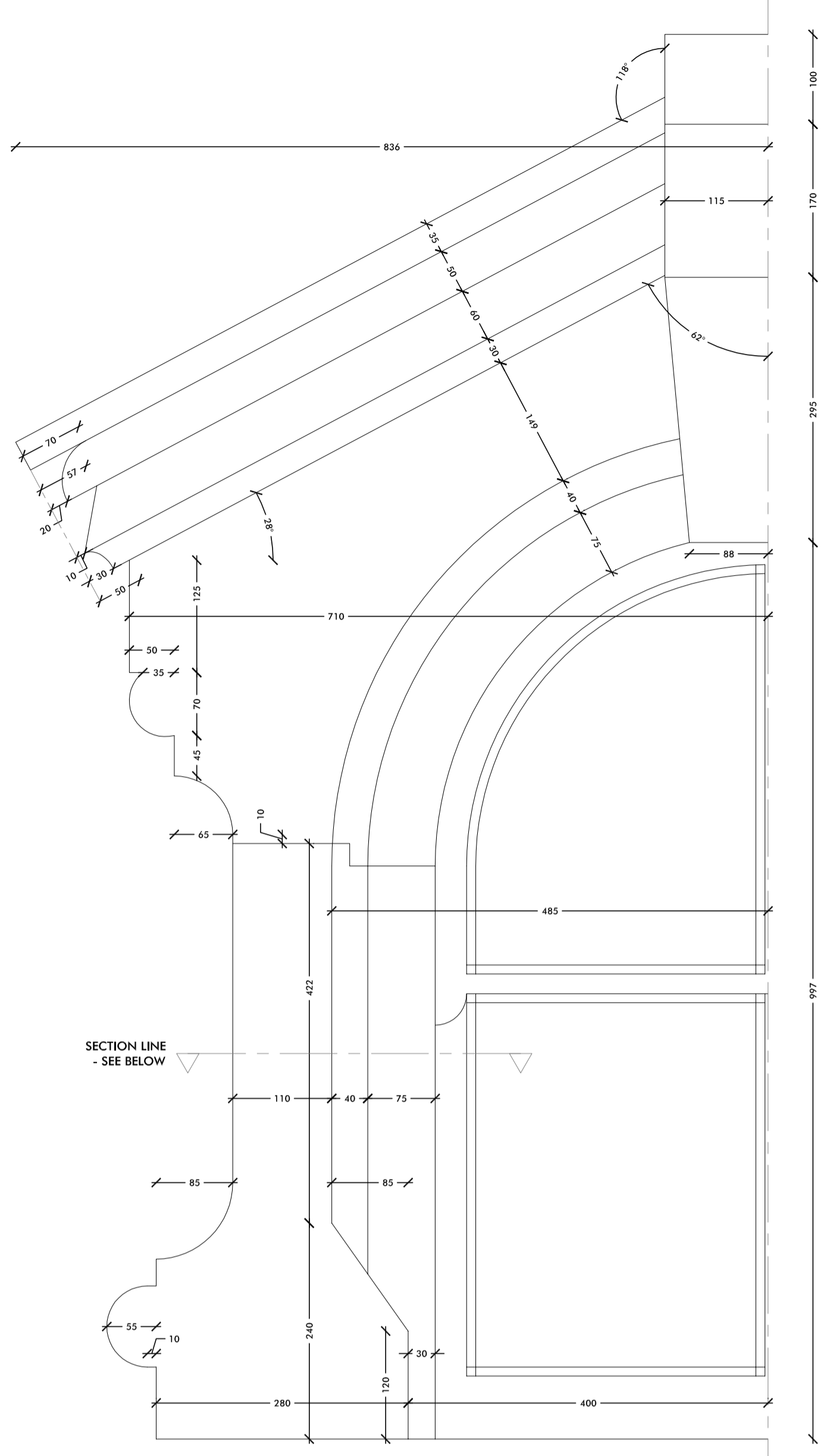
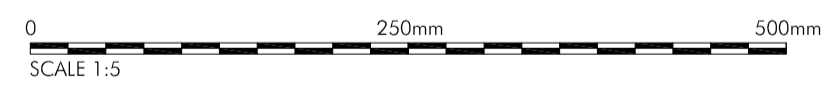
DORMER WINDOW A



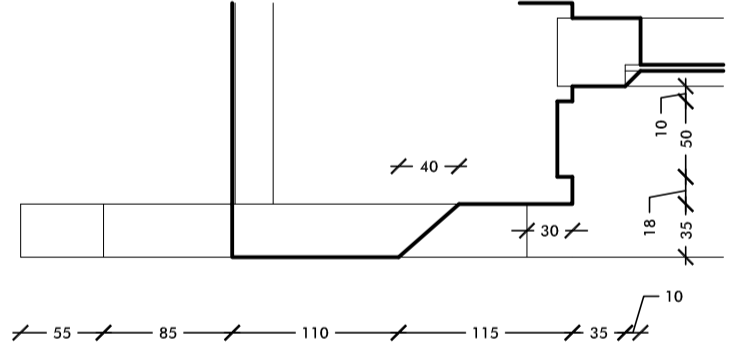
SECTION LINE - SEE BELOW



DORMER WINDOW B



SECTION LINE - SEE BELOW



DORMER WINDOW C

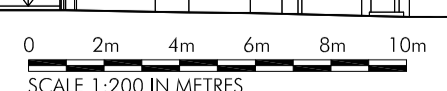
NOTE: DRAWING TO BE READ IN CONJUNCTION WITH PHOTOGRAPHIC RECORD OF EXISTING DETAILS DOCUMENT PROVIDED SEPARATELY



EXISTING SIDE ELEVATION - MOSTYN BROADWAY ELEVATION



EXISTING FRONT ELEVATION



EXISTING SIDE ELEVATION

SH DRAWN	DRAWN REVISION	FEB 18 DATE	SP VER
<p>ARCHITECTS &amp; DESIGNERS</p>			
<p>PROJECT PREMIER INN TUDNO CASTLE LLANDUDNO</p>			
<p>TITLE DETAILED SURVEY OF EXISTING DORMER WINDOWS ELEVATIONS &amp; SECTIONS</p>			
<p>SCALE 1:5, 1:20 &amp; 1:200 @ A1</p>			
JOB No BAK01	DRAWING No AP106	REV	

7 Buxton Road West, Disley, Stockport, Cheshire, SK12 2AE. Website: www.allisonpike.com Telephone: 01663 763000 Facsimile: 01663 766772 Email: studio@allisonpike.com