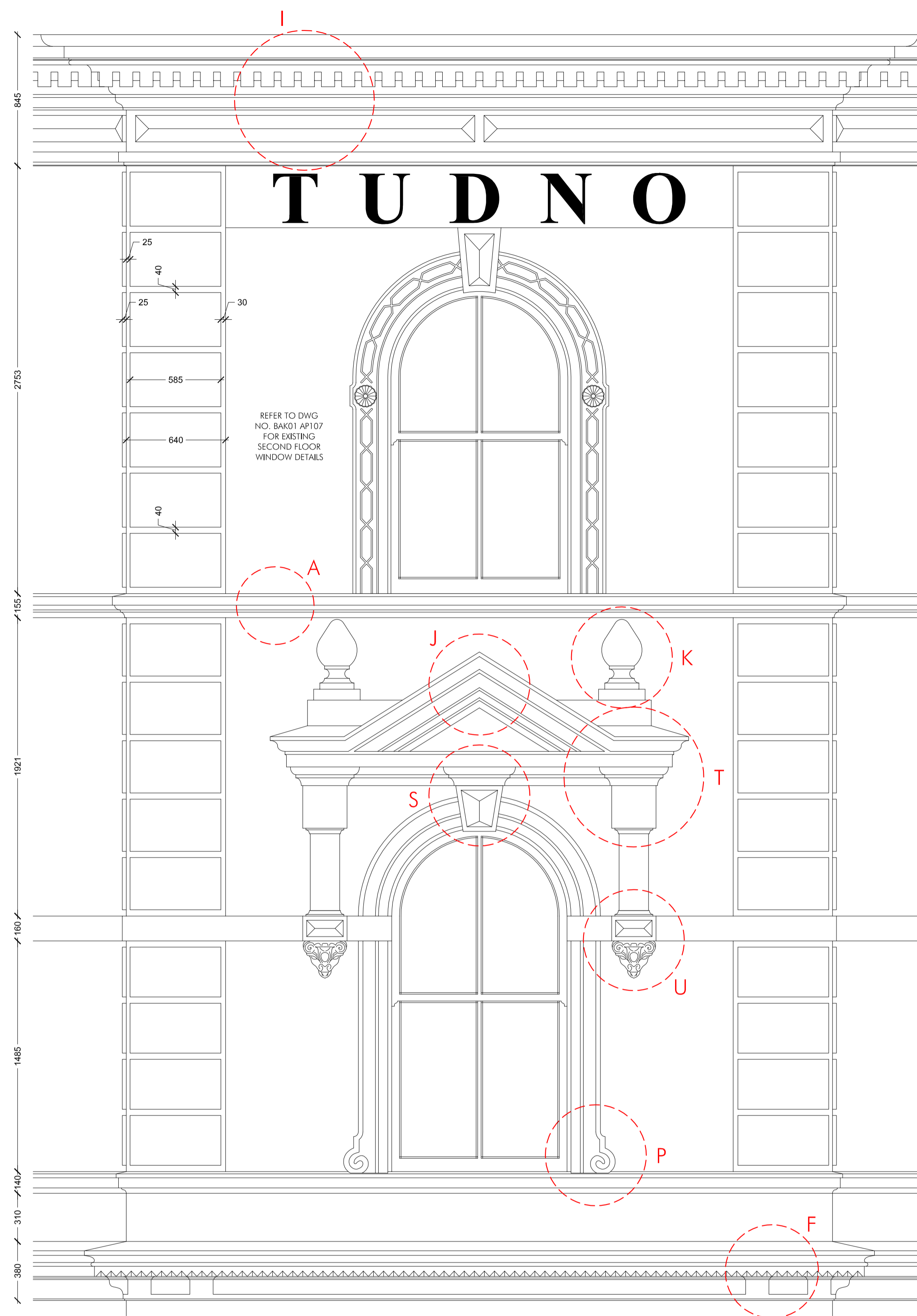
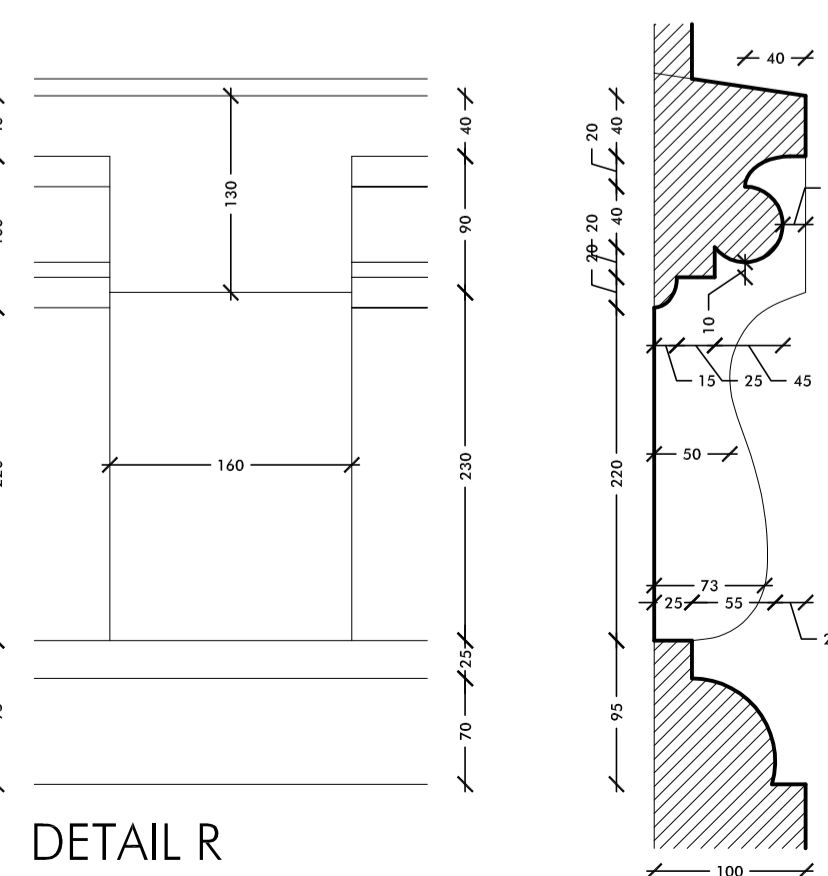
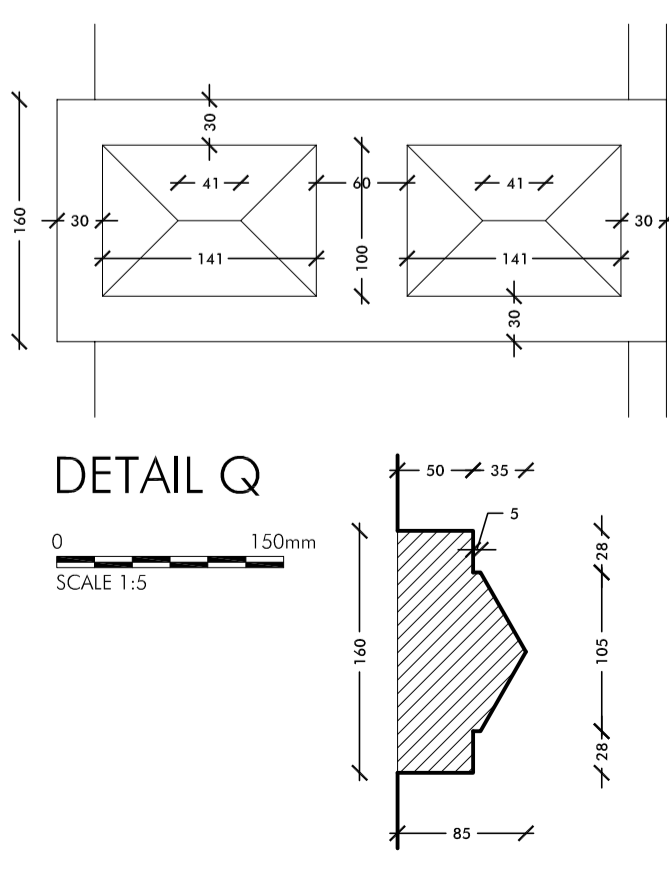
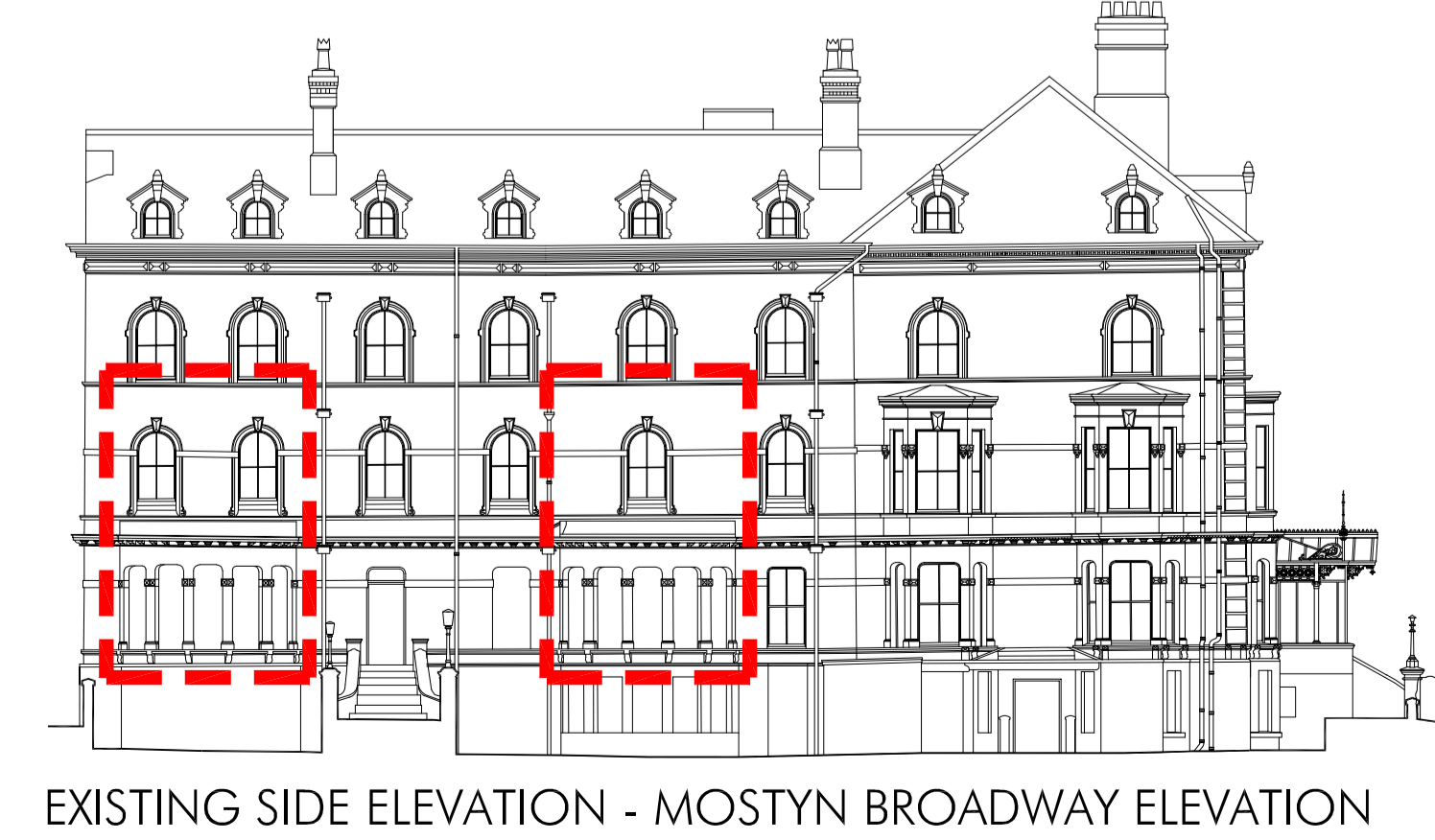


EXISTING BAY WINDOW ELEVATION



EXISTING WINDOW ELEVATION



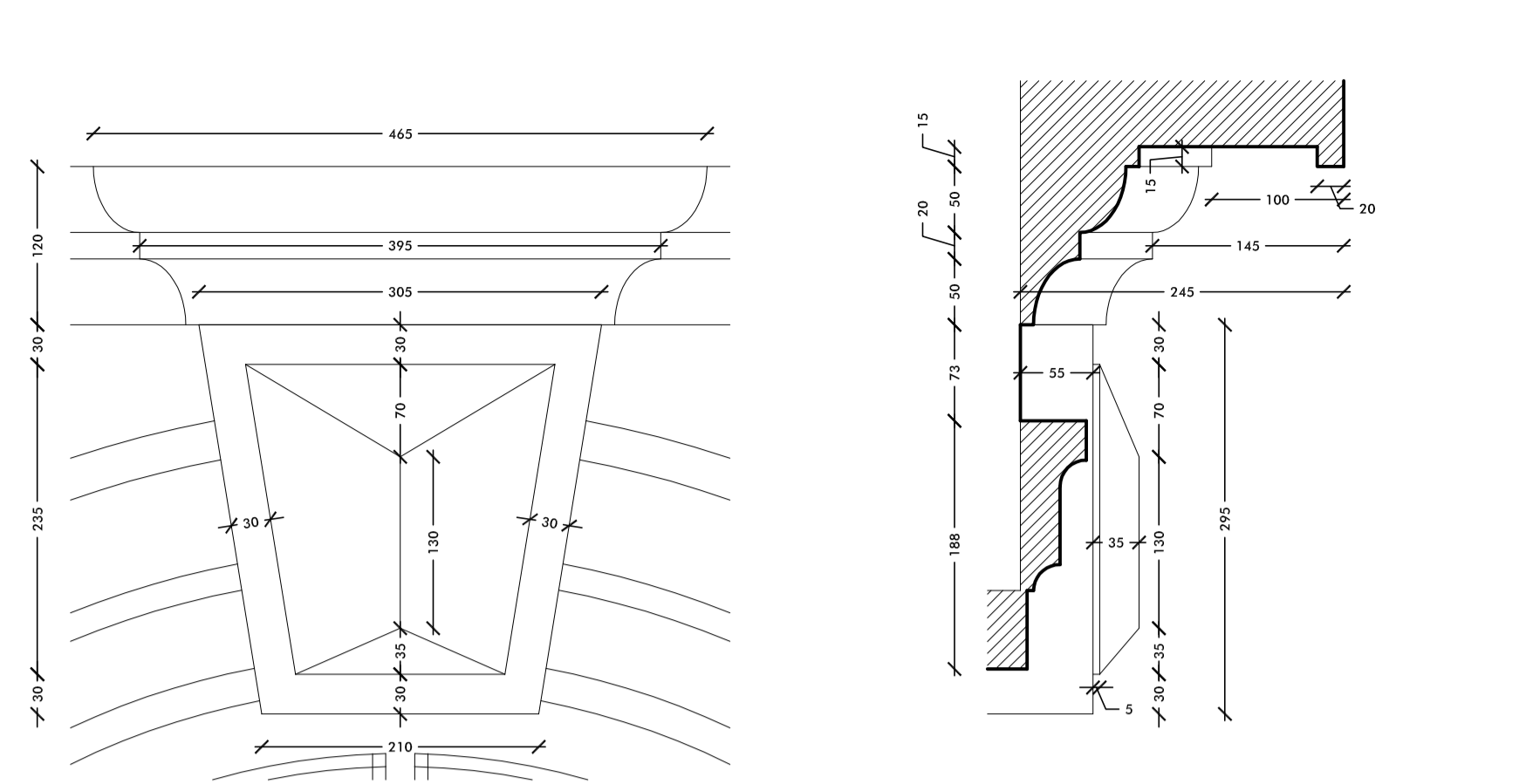
EXISTING SIDE ELEVATION - MOSTYN BROADWAY ELEVATION



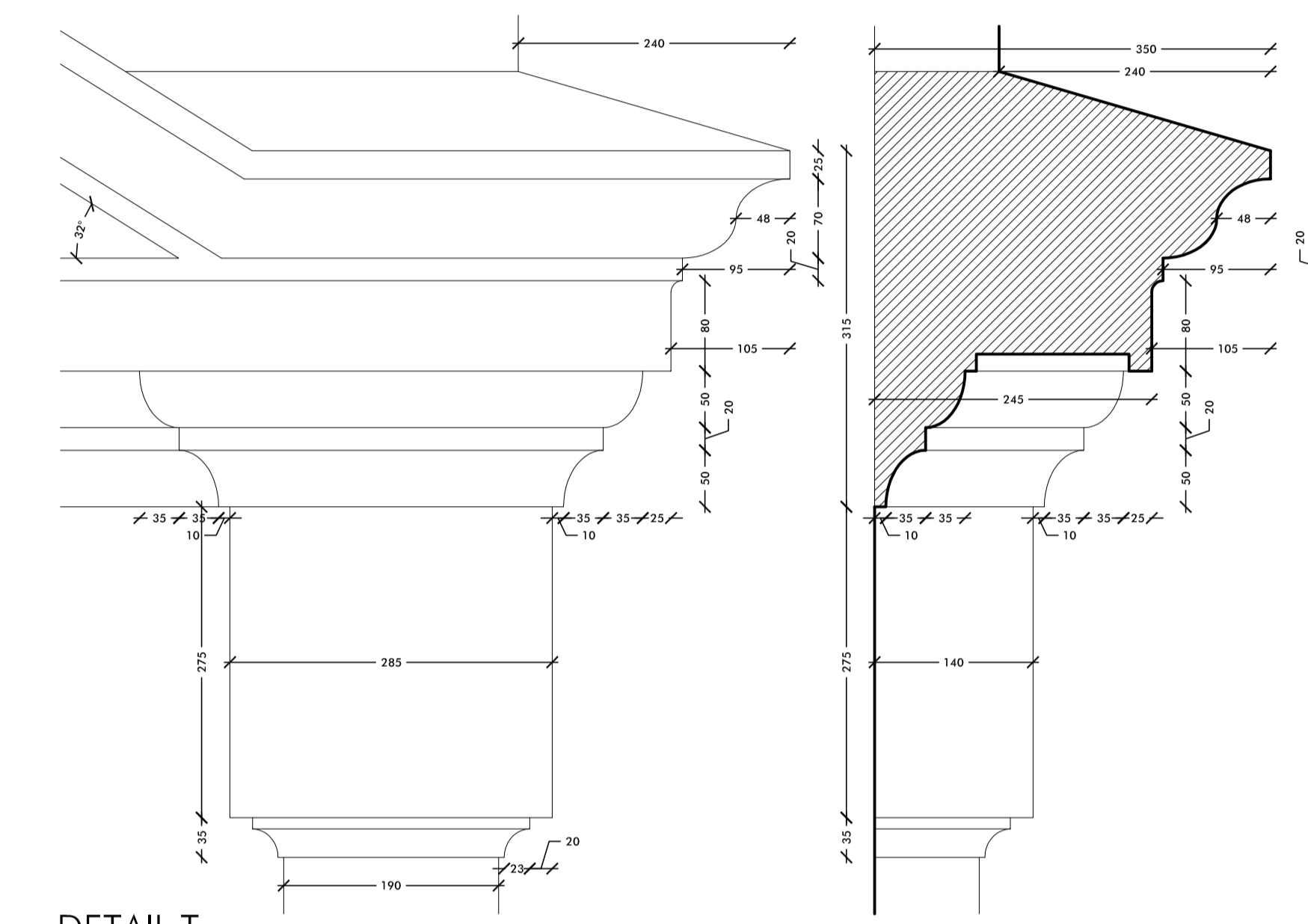
EXISTING FRONT ELEVATION



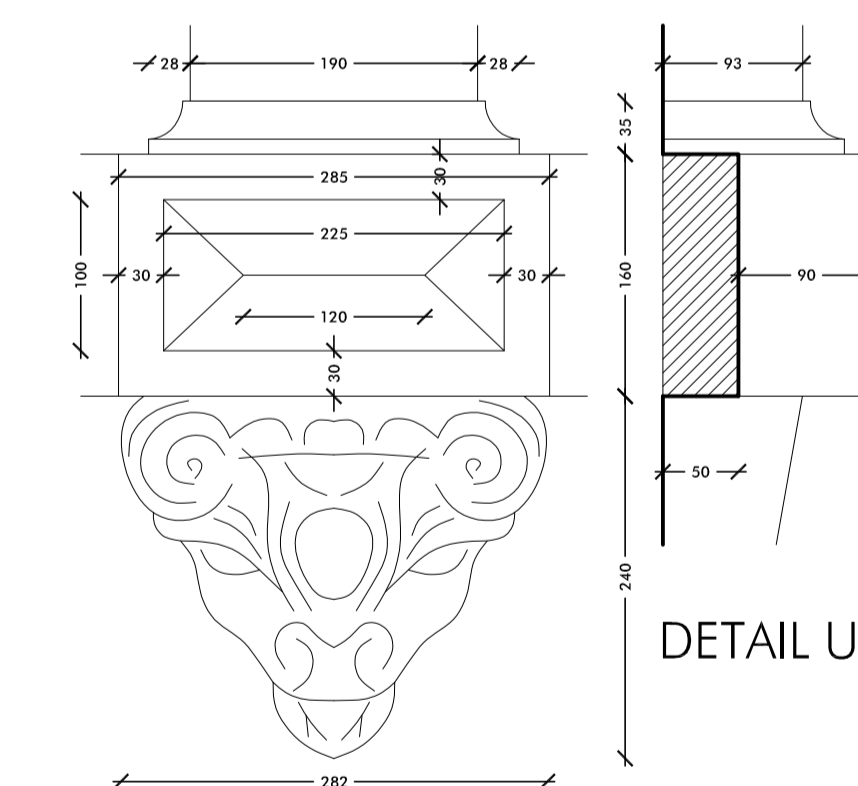
EXISTING SIDE ELEVATION



DETAIL S



DETAIL T



DETAIL U

NOTE: DRAWING TO BE READ IN CONJUNCTION WITH PHOTOGRAPHIC RECORD OF EXISTING DETAILS DOCUMENT PROVIDED SEPARATELY

SH	DRAWN	REVISION	FEB 18	SP
			DATE	VER

AP
ALLISON PIKE
ARCHITECTS & DESIGNERS

7 Buxton Road West, Disley, Stockport, Cheshire, SK12 2AE.
Telephone: 01663 763000
Website: www.allisonpike.com
Facsimile: 01663 766772
Email: studio@allisonpike.com

© Allison Pike Partnership Limited.

PROJECT	PREMIER INN TUDNO CASTLE LLANDUDNO		
TITLE	DETAILED SURVEY OF EXISTING BAY WINDOWS & WINDOWS ABOVE CANOPY ELEVATIONS & SECTIONS		
SCALE	1:5, 1:20 & 1:200 @ A1		
JOB No	DRAWING No	REV	
BAK01	AP103		