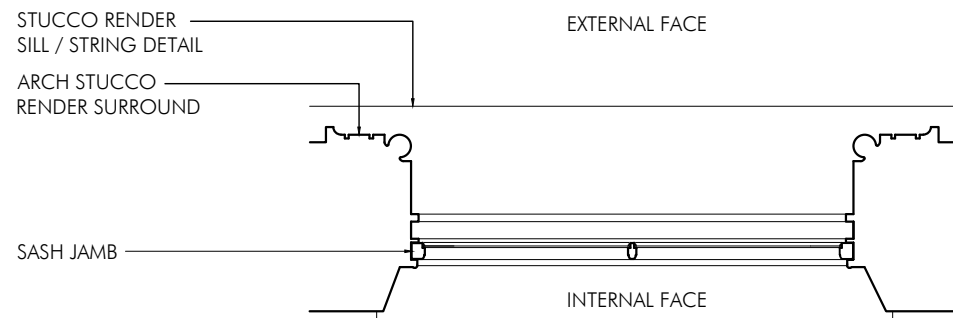


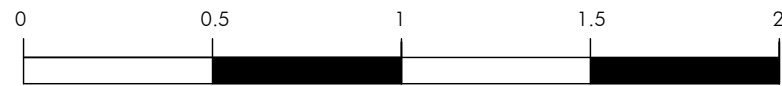
TYPICAL SASH WINDOW ELEVATION

SCALE 1:20

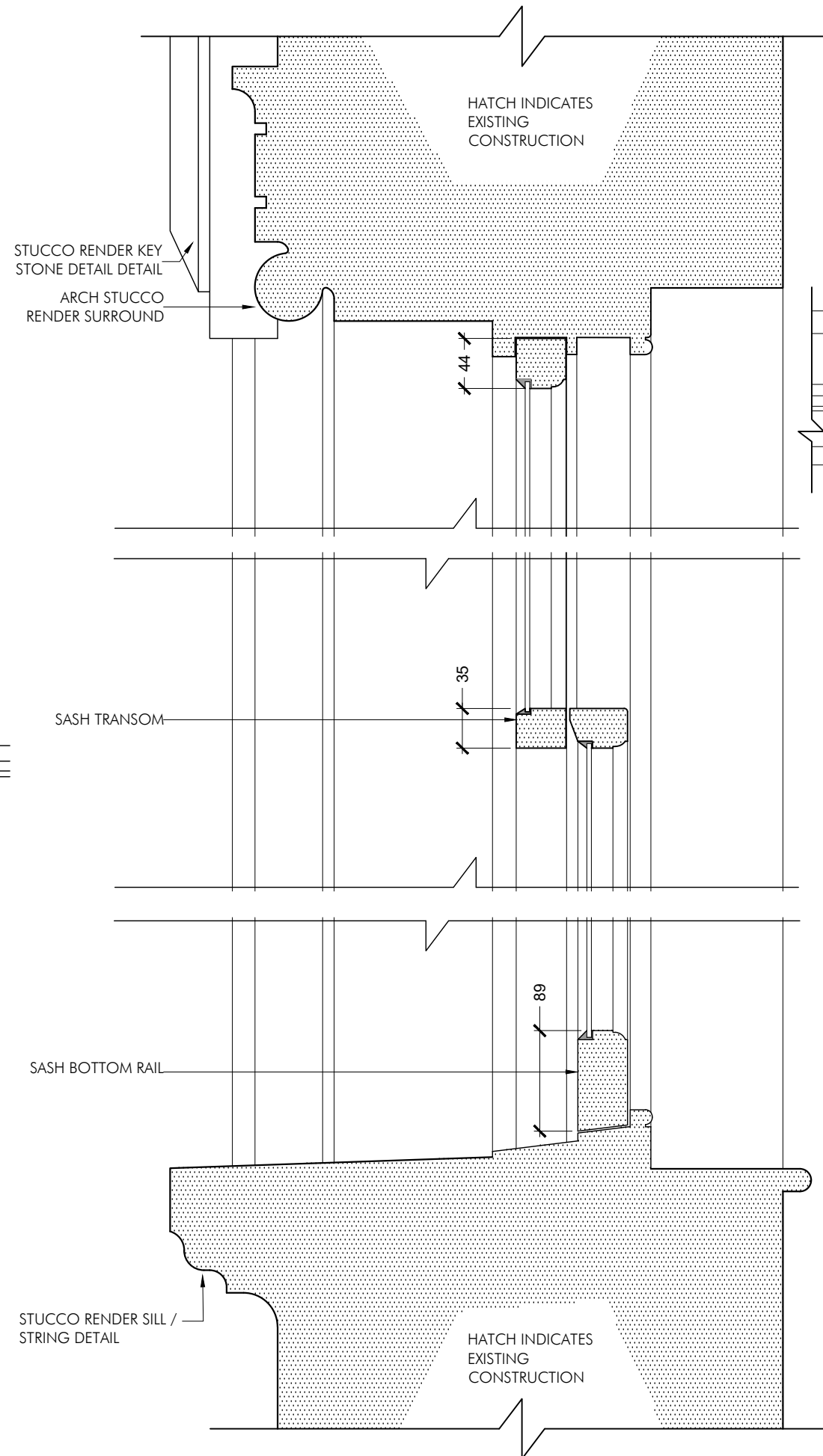


TYPICAL SASH WINDOW PLAN

SCALE 1:20

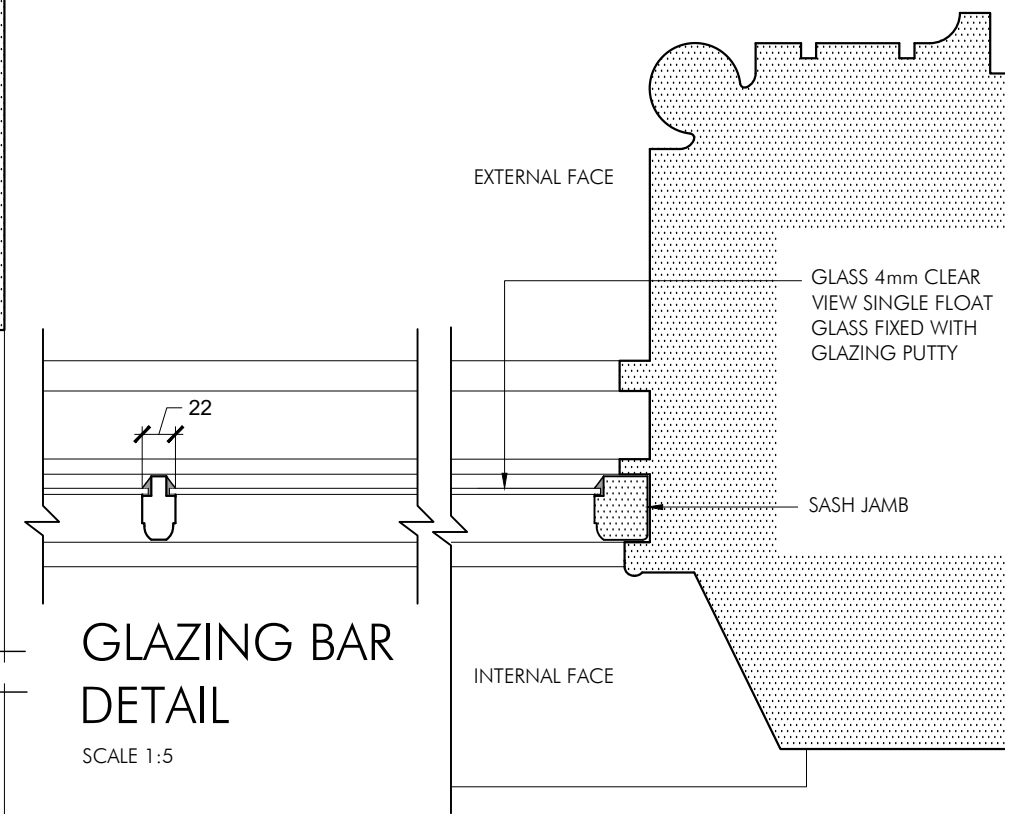


SCALE (m) 1:20



WINDOW SECTION DETAILS

SCALE 1:5



SCALE (m) 1:5

RDM	DRAWN	22.06.17	SP
DRAWN	REVISION	DATE	VER

AP
ALLISON PIKE
ARCHITECTS & DESIGNERS

7 Buxton Road West, Disley, Stockport, Cheshire, SK12 2AE. Telephone: 01663 763000
Website: www.allisonpike.com. Facsimile: 01663 766772. Email: studio@allisonpike.com

© Allison Pike Partnership Limited.

PROJECT
TUDNO CASTLE
LLANDUDNO

TITLE
TYPICAL EXISTING WINDOW SURVEY

SCALE
1:20/1:5 @ A3

JOB No BAK01	DRAWING No AP08	REV
-----------------	--------------------	-----

PLANNING ISSUE