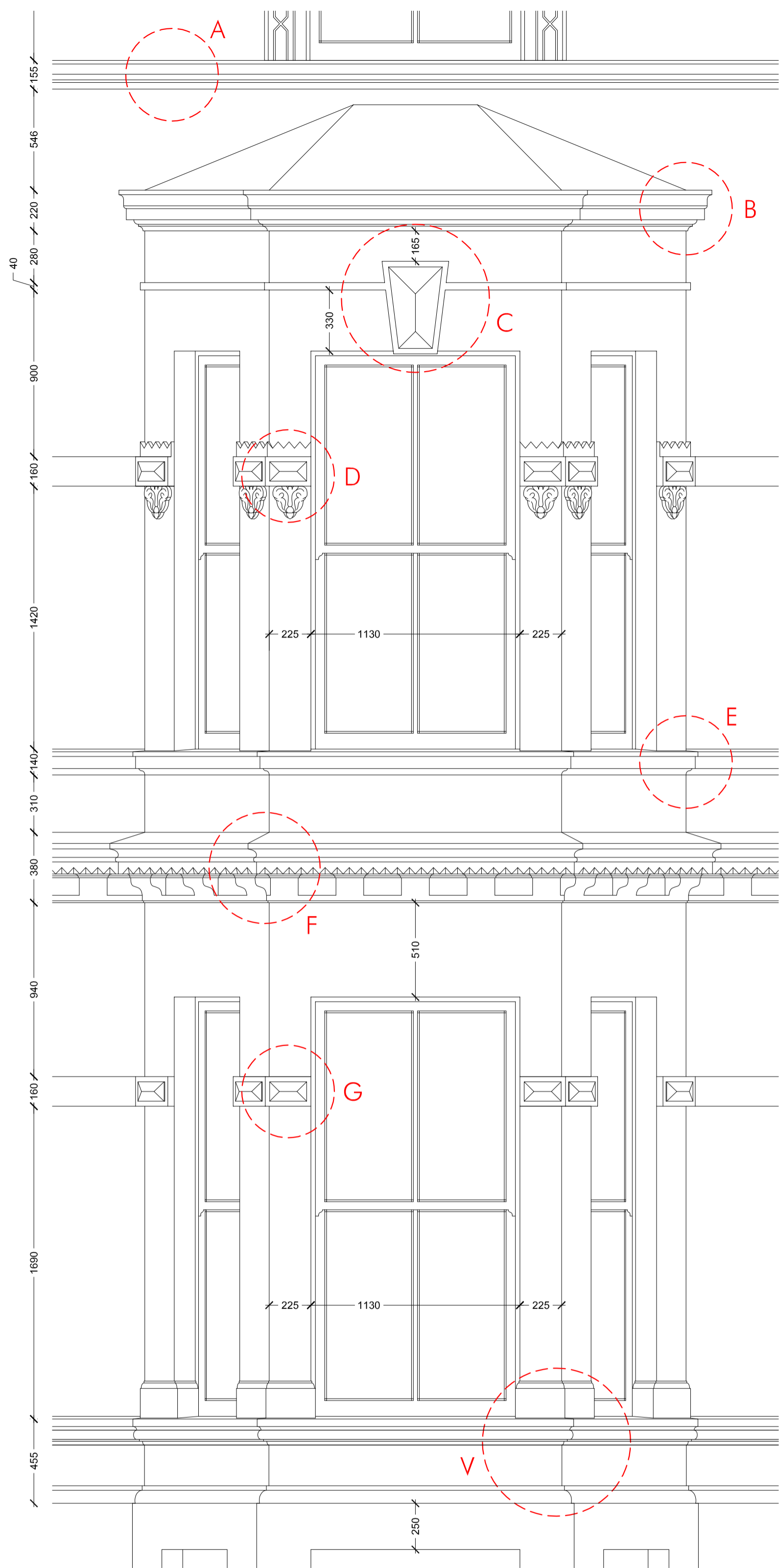
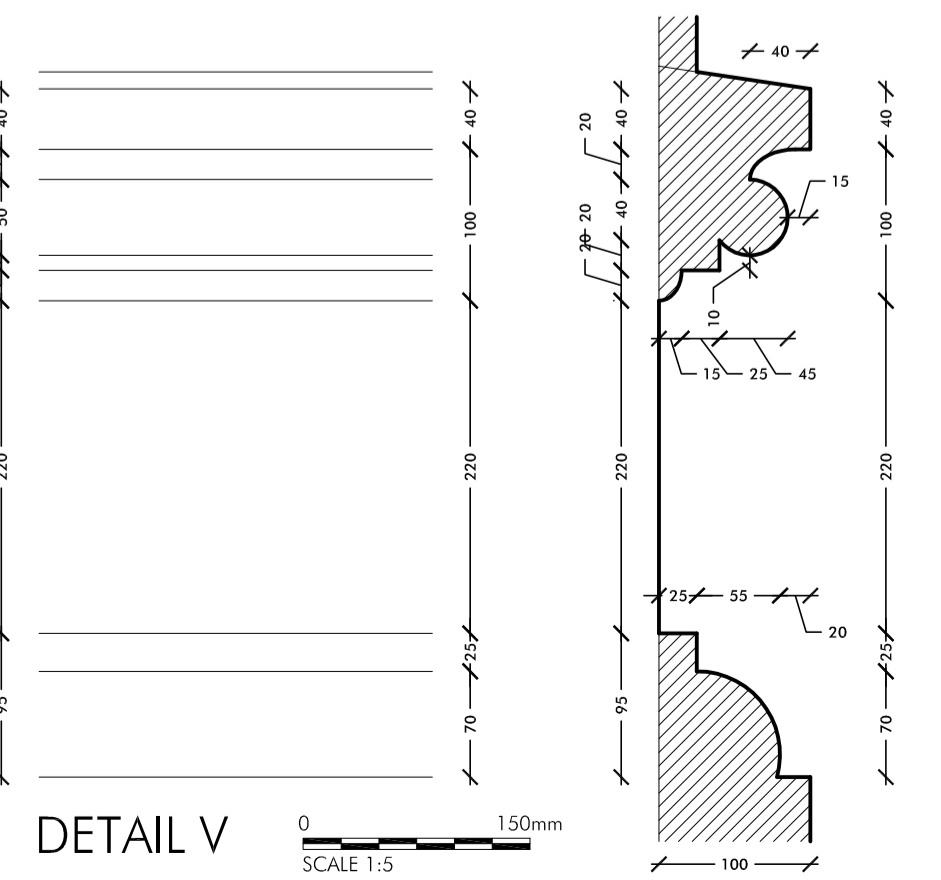
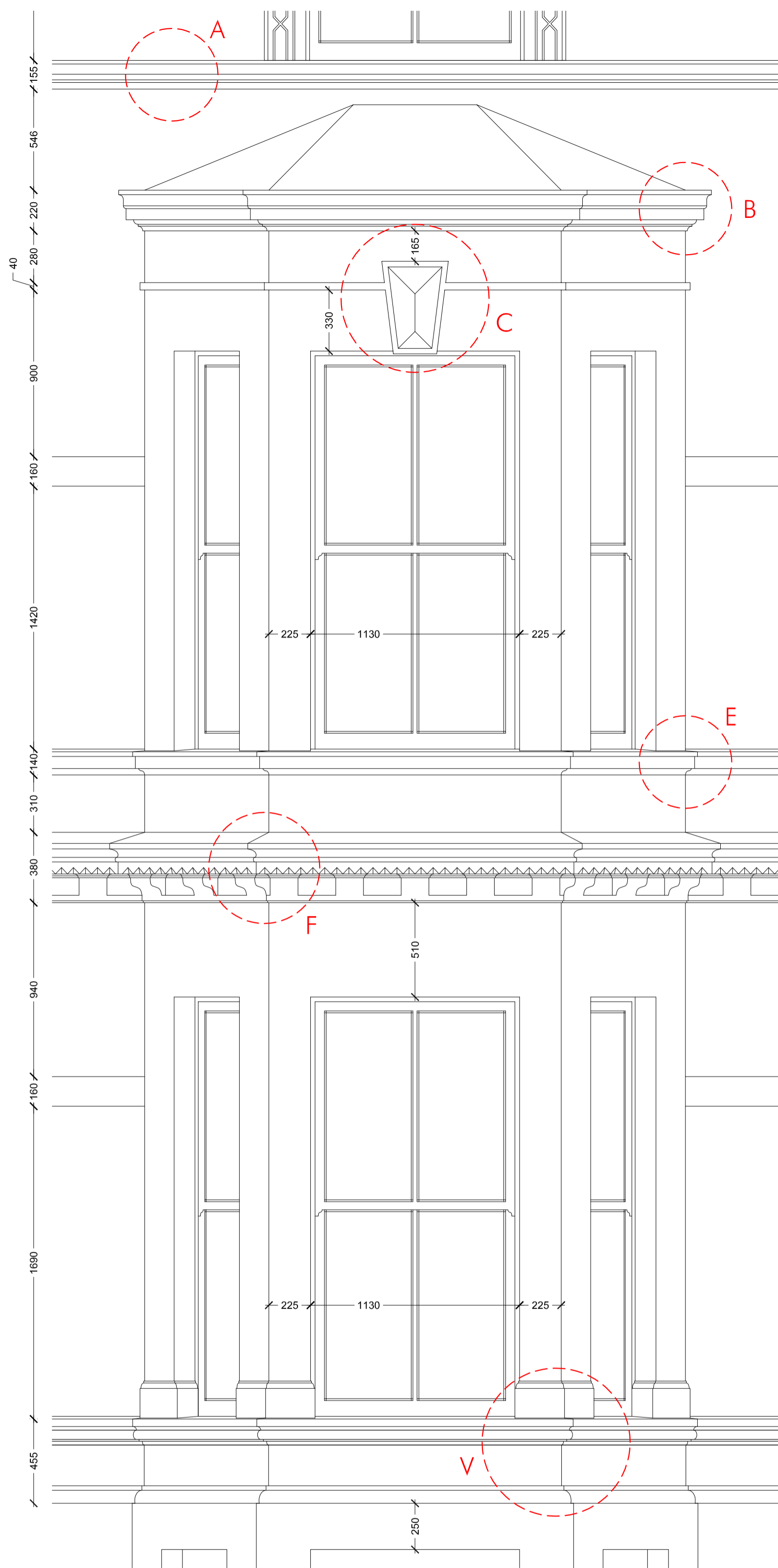


EXISTING BAY WINDOW ELEVATION A



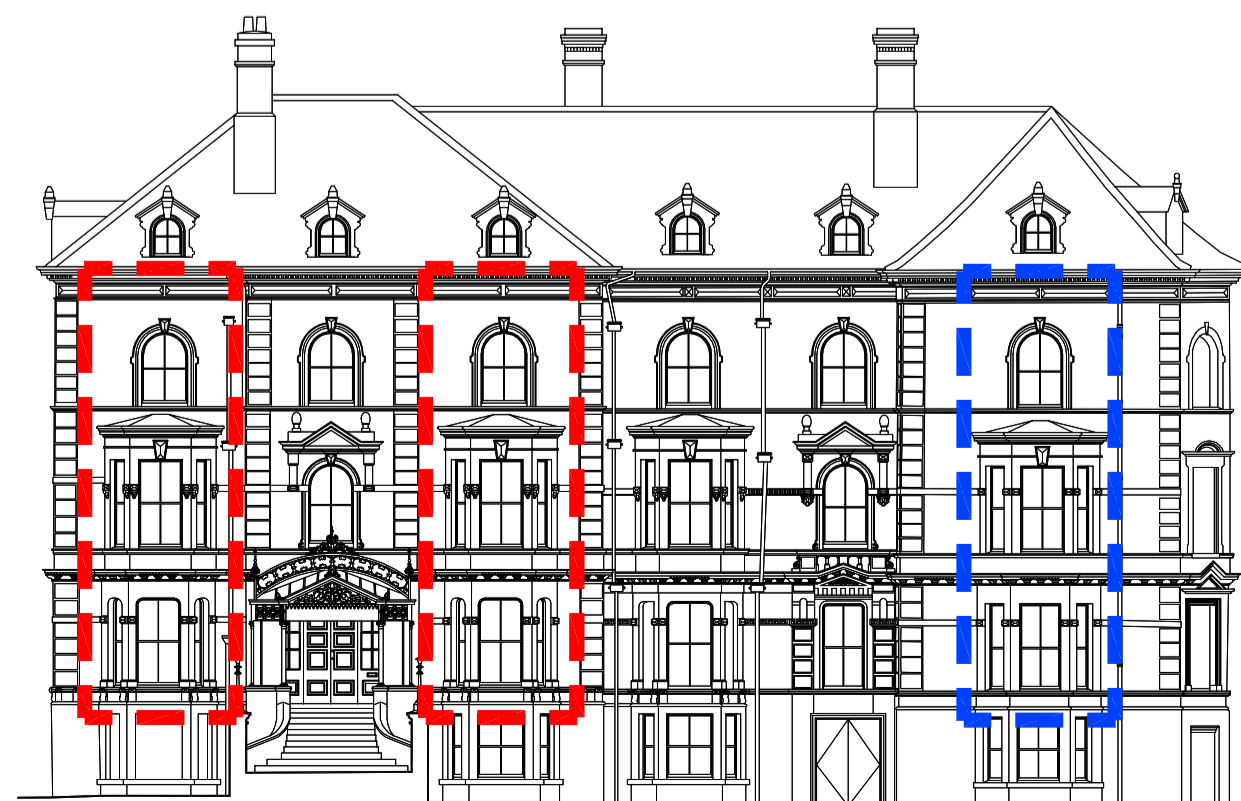
EXISTING BAY WINDOW ELEVATION B



EXISTING BAY WINDOW ELEVATION C



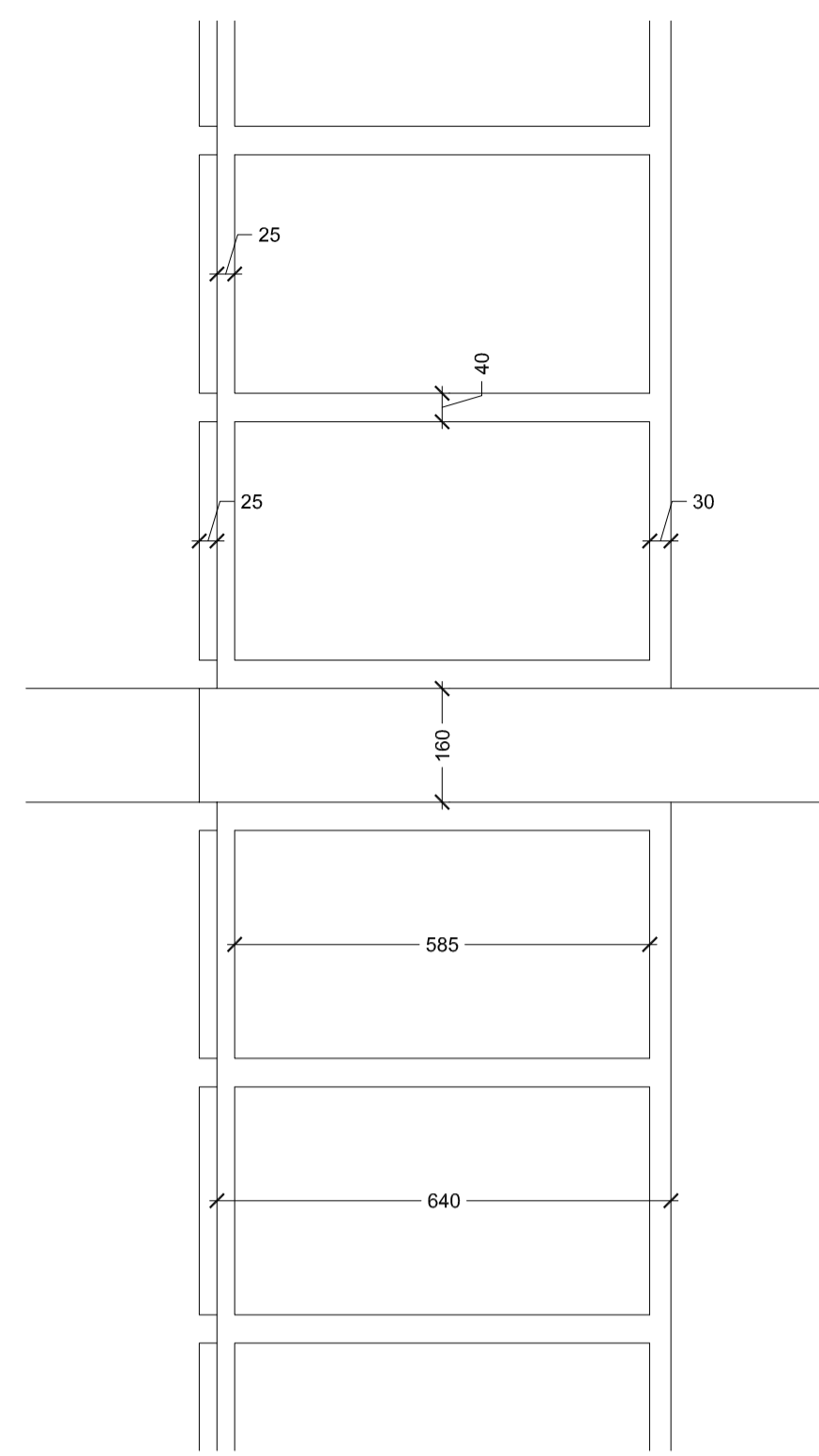
EXISTING SIDE ELEVATION - MOSTYN BROADWAY ELEVATION



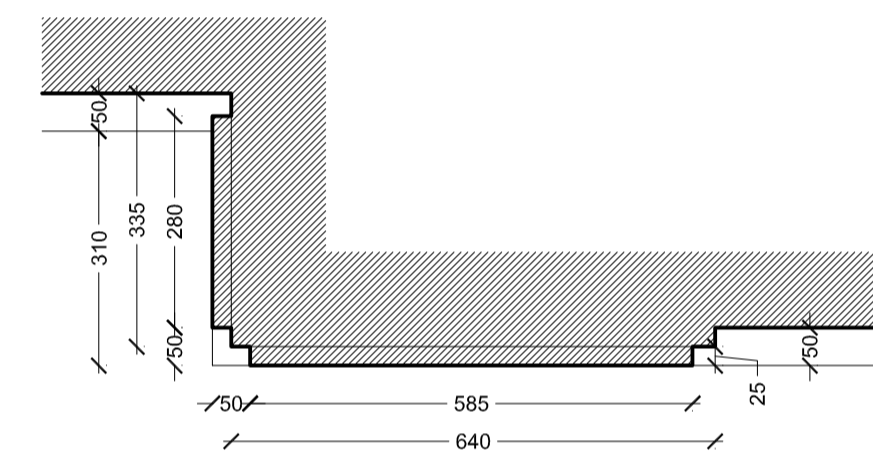
EXISTING FRONT ELEVATION



EXISTING SIDE ELEVATION



TYPICAL QUOIN & MID BAND DETAIL



NOTE: DRAWING TO BE READ IN CONJUNCTION WITH PHOTOGRAPHIC RECORD OF EXISTING DETAILS DOCUMENT PROVIDED SEPARATELY

SH	DRAWN	REVISION	FEB 18	SP
DRAWN			DATE	VER


ALLISON PIKE
 ARCHITECTS & DESIGNERS

7 Buxton Road West, Disley, Stockport, Cheshire, SK12 2AE.
 Telephone: 01663 763000
 Website: www.allisonpike.com
 Facsimile: 01663 766772
 Email: studio@allisonpike.com

PROJECT
 PREMIER INN
 TUDNO CASTLE
 LLANDUDNO

TITLE
 DETAILED SURVEY OF EXISTING
 VARIOUS BAY WINDOWS
 ELEVATIONS & SECTIONS

SCALE
 1:5, 1:20 & 1:200 @ A1

JOB No	DRAWING No	REV
BAK01	AP104	